



**CASABLANCA**<sup>®</sup>  
FAN COMPANY

761 CORPORATE CENTER DRIVE  
POMONA, CALIFORNIA 91768  
1.888.227.2178  
WWW.CASABLANCAFANCO.COM

PN C3143001-AT0209



**CASABLANCA**<sup>®</sup>  
FAN COMPANY

**HOLLISTON**<sup>®</sup>

FOR MODEL:

**C31UxxZ**

OWNER'S MANUAL

# LIMITED WARRANTY



## Holliston®

**THIS WARRANTY  
SUPERSEDES ALL  
PREVIOUS WARRANTIES**

If purchased from our authorized dealer, this ceiling fan is warranted to the original purchaser by Casablanca Fan Company against defects in materials and workmanship for the following:

Motor excluding Electronics .....	Lifetime
Component Parts, Electronic or Manual Control, Blades, Light Fixture, and Finish .....	One Year
Lightbulbs .....	No Warranty

During the warranty period, we repair (or, at our option, replace at no charge) a defective product. For details, contact Casablanca at 1-888-227-2178 or visit us on the Web at [www.casablancafanco.com](http://www.casablancafanco.com).

HOW TO OBTAIN SERVICE: Contact Casablanca for the name of the nearest Authorized Service Center or refer to the Authorized Service Centers list included with this Owner's Manual. Do not return your fan without approval from Casablanca Fan Company. Should it become necessary to return your fan to an Authorized Service Center, make sure it is packaged properly to avoid in-transit damage, which is not covered by this warranty.

### WHAT IS NOT COVERED:

Casablanca Fan Company requires the use of genuine Casablanca accessories with this fan. Where a failure of this fan is caused by the use of accessories not supplied by Casablanca, this warranty is void.

This warranty does not apply if the product has been damaged by improper installation, neglect, accident, misuse, exposure to extremes of heat or humidity, or as a result of service or modification by other than a Casablanca Authorized Service Center. In addition, this warranty does not cover minor variations in plated metal finishes due to the imperfect nature of the plating and finishing process. Handblown glass may contain blisters, seeds, or thin lines. These characteristics are not defects, but substantiate that this is handblown and handcrafted glass. All costs of installing, removing, and reinstalling the product are the responsibility of the owner. Under-warranty motors requiring repair must be shipped to the factory for replacement. Casablanca will pay for shipping charges incurred in sending the defective product from the customer to Casablanca Fan Company as well as for return UPS shipment. No other expressed warranty is given. The repair or replacement of a product is the consumer's exclusive remedy. Any implied warranty of merchantability or fitness is limited for consequential or incidental damages.

IN-HOME SERVICE: Casablanca offers In-Home Service where available as follows:

Within the first 120 days, Casablanca will send a field service representative to repair or replace the part or parts deemed to be defective from the factory. Most Service Center contracts cover up to a 30-mile radius from their place of business. Casablanca will not cover repairs caused by improper installation. After the 120-day period, the consumer will be charged for the service call and labor. Casablanca will pay for all defective parts through the duration of the parts warranty. NOTE: Service Centers are required to submit a Proof of Purchase with each warranty claim. The consumer must provide a copy of the Proof of Purchase at the time of service. If no in-home service is available, the consumer has the option of sending an in-warranty fan to Casablanca Fan Company in Pomona, Calif., for repair. The fan must be packaged properly, shipped freight prepaid, and include a copy of the Proof of Purchase. The fan will be repaired and returned at no charge to the consumer, freight prepaid.

July 2008



FEATURING 120-DAY IN-HOME SERVICE

### PROOF OF PURCHASE

Retain this information for future reference.

Serial number \_\_\_\_\_

Model number \_\_\_\_\_

Retailer \_\_\_\_\_ Date of purchase \_\_\_\_\_

Date of Product Registration (mailed card or completed online) \_\_\_\_\_

If you have any problem installing or operating your fan, do not return this product to the dealer. Call our toll-free Consumer Affairs hotline at 888-227-2178, Monday through Friday, 7 a.m. to 4 p.m. PST. Your request will be handled immediately.

# HOLLISTON™ Owner's Manual

## READ AND SAVE THESE INSTRUCTIONS!

Safety and the proper operation of your Casablanca fan both require a thorough knowledge of the product and proper installation; therefore, before attempting to install and operate your Casablanca fan, read this owner's manual completely and carefully. Retain this manual for future reference.

**CAUTION: To avoid possible electrical shock, make certain that electricity is turned off at the circuit breaker or fuse box before attempting any installation procedure.**

## CONTENTS

PACKAGING	
Please Inspect . . . . .	2
Parts Guide . . . . .	3
INTRODUCTION	
Before You Start . . . . .	5
Safe Use . . . . .	5
MOUNTING RECOMMENDATIONS	
General Guidelines . . . . .	6
Sloped Ceiling Installations . . . . .	6
FAN INSTALLATION	
Getting Started . . . . .	7
Ceiling plate Installation . . . . .	7
Lag Screw Installation (Required) . . . . .	8
Canopy Installation . . . . .	8
Fan Preparation . . . . .	11
Lightbulb Installation (uplight) . . . . .	11
Hanging the Fan . . . . .	11
Canopy Electrical Connections . . . . .	12
Canopy Hatch Installation . . . . .	12
Blade Installation . . . . .	13
Light Fixture Installation . . . . .	14
INTELI•TOUCH® W-84 WALL CONTROL	
Wall Control Preparation . . . . .	22
Operation . . . . .	26
Changing Transmitter Frequency Setting . . . . .	27
Bezel Replacement . . . . .	29
TROUBLESHOOTING . . . . .	33
CARE RECOMMENDATIONS . . . . .	34
PRODUCT SPECIFICATIONS . . . . .	34



**PLEASE INSPECT ALL PACKAGING PRIOR TO DISCARDING!**

Your Casablanca fan was crafted with pride and care and inspected thoroughly prior to shipment. Before you begin to assemble and install your Casablanca fan, remove all parts from the carton and check them against the Parts Guide in this manual.

Make sure all parts are included in the box using the Parts Guide on the following pages.

If there are missing or broken parts:

Call 1-888-227-2178 Monday through Friday, 7 a.m. to 4 p.m. PST. Your request will be handled immediately. Replacement parts will be sent to you via Federal Express.

**Proper Parts Handling**

Do not remove lightbulbs from their packaging until you are ready to install them.

Before discarding packaging materials, be certain that all parts have been removed.

Use a clean, dry paintbrush to remove small Styrofoam pieces that may remain after unpacking.

Do not brush Styrofoam into wiring cavities.

The blades in each pack are matched for equal weight to assure smooth fan operation. If more than one fan is being installed, do not mix blades from different cartons.

When cleaning, painting, or working near your fan, be cautious of the fan and blades.

Always turn power to the ceiling fan OFF before replacing lightbulbs or working on your fan.

Never insert anything into the path of the fan blades while the fan is in operation.

Never install a fan over a pool or spa.

Never operate a fan that has been damaged in any way.

Install the fan according to the instructions in this manual.

If the fan does not work:

Refer to the Troubleshooting Tips in this Owner's Manual.

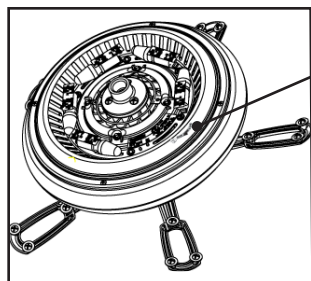
Call Technical Support at 1-888-227-2178.

Contact your local Authorized Service Center.

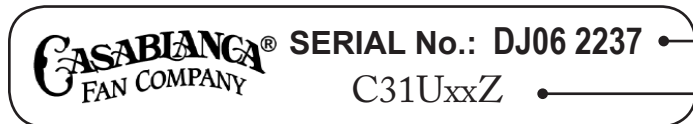
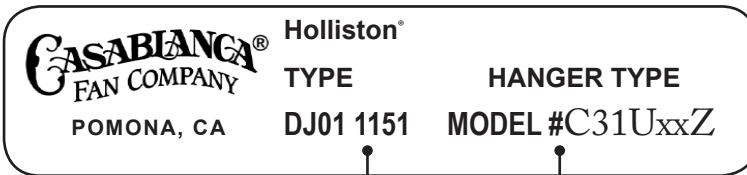
Our Web site at [www.casablancafanco.com](http://www.casablancafanco.com) contains additional information on Casablanca products, troubleshooting, and Authorized Dealer or Service Centers. Please do not return this product to the store.

**RECORD MODEL AND SERIAL NUMBERS BEFORE INSTALLATION!**

Please take a moment to locate the model number and serial number from your fan (see below) and record this information on the Warranty page inside the front cover of your Owner's Manual if it does not appear there already. These numbers are found on the motor identification plate affixed to the fan motor in the location shown below:
















Motor Identification Plate









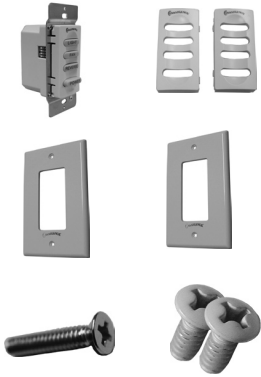


Serial Number

Model Number

# Parts Guide

Item #	Description	Picture (not to scale)	Quantity
1.	Motor Housing		1
2.	Ceiling plate		1
3.	Phillips Screwdriver		1
4.	Screw Pack (A): 1 1/2" x 8-32" Roundhead screws and Washers ,		2 EA
5.	Screw Pack: Lag Screw and Washer (1)		1 EA
6.	Screw Pack (A): Wire Nuts (4),		4
7.	Canopy and Canopy Hatch		1
8.	Perma•Lock™ Downrod and Ball Assembly		1
9.	Hanging Adapter Cover		1
10.	Canopy Cover Ring		1
11.	Screw Pack (B): Canopy Screws and Lock Washers,		4 EA
12.	Allen Wrench		1
13.	<b>7-Watt Incandescent Uplight Bulbs</b>		6

Item #	Description	Picture (not to scale)	Quantity
15.	<b>Blades</b>		5
16.	Blade Irons		5
17.	Screw Pack (C): <b>Blade Iron Screws (pre-installed, see pg 13, step 9a)</b>		11
18.	Screw Pack (D): Blade Screws and Washers		16 EA
19.	Light Kit Adaptor Assembly		1
20.	Screw Plug		1
21.	Switch Housing Cap		1
22.	Screw Pack (E): Switch Housing Cap Screws 8-32 x 3/8		2
23.	W-84 Control and Mounting Hardware		1

## INTRODUCTION BEFORE YOU START

- **CAUTION: RISK OF ELECTRICAL SHOCK!** Installation is to be in accordance with the National Electrical Code, ANSI/NFPA 70-1999 and local codes. If you are unfamiliar with the wiring codes, you should use a qualified electrician. To avoid overheating and possible damage to other equipment, do not install control to a receptacle, fluorescent light fixture, motor-operated appliance, or transformer-supplied appliance.
- This fan is designed to be installed on an existing electrical outlet box. The outlet box must be UL Listed for ceiling fan installations. If it is not, a new box must be installed. Casablanca extension poles are available for sloped or high ceiling installations.
- This ceiling fan requires a grounded electrical supply of 120 VAC, 60 Hz and a minimum 15 amp circuit. The maximum current requirement for the fan with light fixture is 3.0 amps. The fan uses about 1.1 amps or 120 watts. Maximum light current is about 1.9 amps or 232 watts of lighting.
- Where wire nuts are employed, be sure all bare wires are within the connectors. When installing the canopy hatch, make sure all wires are within the canopy and that no wires are being pinched.
- **WARNING:** Do not bend the blade brackets when installing the brackets, balancing the blades, or cleaning the fan. Do not insert foreign objects in between the rotating fan blades.

### Unpacking

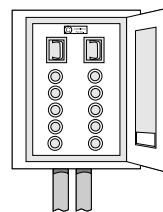
Before assembling and installing your ceiling fan, remove all parts from the shipping cartons and check them against the parts listed in the Parts Guide. Before discarding packaging materials, be certain that all parts have been removed.

**For best performance and for your warranty to be valid,  
use only genuine Casablanca blades, light fixtures, and accessories.**

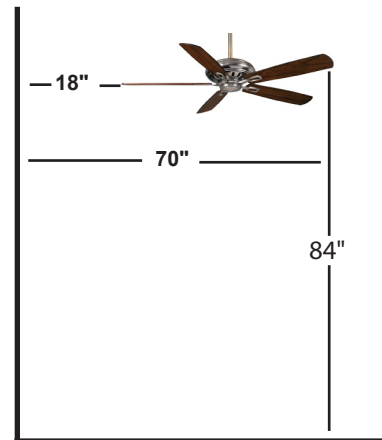
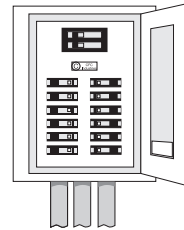
## SAFE USE

- The blades in each pack are matched for equal weight to assure smooth fan operation. If more than one fan is being installed, be careful not to mix blades from different cartons.
- Inspect the contents of your carton for possible shipping or handling damage. If parts are missing or damaged, call 1-888-227-2178.
- It is always a good idea to have an assistant to help with the installation.
- When cleaning, painting, or working near your fan, be very careful of the fan and blades. Always turn the power OFF to the ceiling fan before working on it or replacing lightbulbs.
- Never insert anything into the path of the fan blades while the fan is in operation.
- Never install a fan over a pool or spa.
- Never operate a fan that has been damaged in any way. Contact Casablanca Fan Company by calling 1-888-227-2178, or contact your local authorized Casablanca dealer for assistance in obtaining service.

**Fuse Box**  
(Remove fuse for the circuit you will be working on)



**Circuit Breaker**  
(Trip breaker for the circuit you will be working on)



Dimensions indicated are the minimum allowable for proper installation.

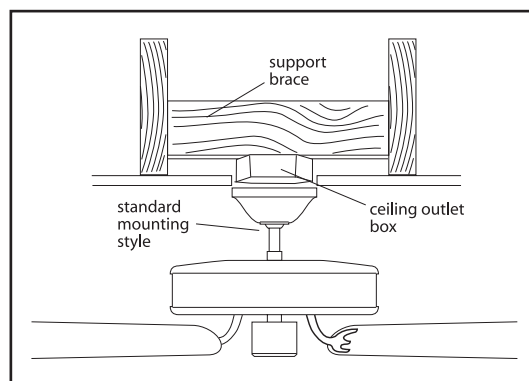
## MOUNTING RECOMMENDATIONS GENERAL GUIDELINES

Before mounting your Casablanca fan, read the following helpful recommendations. The location of the fan, air circulation, and fan size are all important factors to consider before installation.

### Location

Ceiling fans have practical uses in almost every room in your home. We suggest you follow these mounting recommendations as you decide where to install your Casablanca fan.

- For safety reasons, the fan blades must be a minimum of 7' above the floor.
- Do not locate the fan in a doorway or above a swinging door.
- In bedrooms, fans work best when mounted above the foot of the bed.
- Over pool tables, be sure to provide plenty of clearance to avoid damage from pool cues.
- In kitchens, be sure to allow for open cupboard doors to clear the fan blades.
- Do not install a fan close to or over a pool or spa. High humidity combined with corrosive gases will destroy the finish and warp the blades.



### Fan Size

Variable fan speed capability permits the use of a full-size 52" fan even in smaller rooms. For very large rooms, two fans may be needed.

## SLOPED CEILING INSTALLATIONS

### SUGGESTED EXTENSION POLE LENGTHS

Ceiling Height	Pole Length
8' 0"	3.5"
8' 6"	3.5"
9' 0"	12"
9' 6"	12"
10' 0"	18"
11' 0"	24"
12' 0"	36"
13' 0"	48"
14' 0"	60"

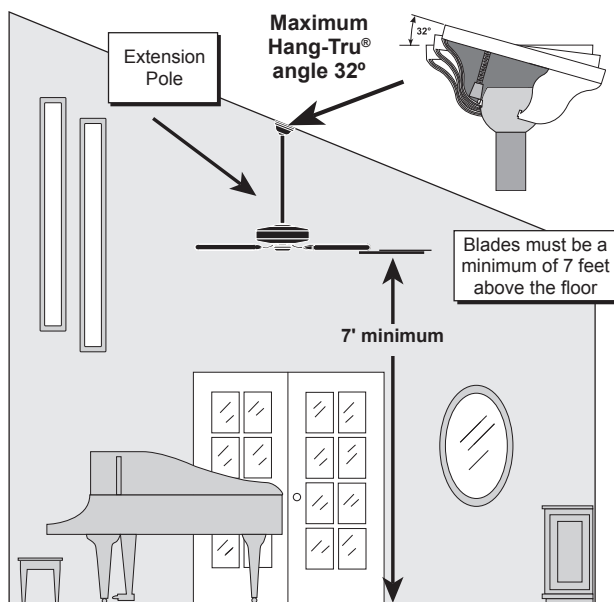
### When to Use Extension Poles

For optimum performance and appearance, an extension pole should be used with your Casablanca fan when installing on high (cathedral) ceilings or sloped ceilings. Casablanca offers standard poles in increments of 6" up to 5'. Custom poles are available in lengths up to 9'9". See your Authorized Casablanca Dealer for details.

**NOTE:** Fan may wobble or vibrate if pole length is not long enough and inside blade is too close to downslope or side wall. Extending pole length will usually solve the problem.

### Calculation of Ceiling Angle

Use the tear-off *Ceiling Angle Template* card inserted in this manual. It provides you with a simple "go" or "no-go" for installing your fan on a sloped ceiling.



This slope is less than 32°. It is OK to install your fan.



This slope is 32°. This is the maximum slope that will allow the fan to hang straight down. It is OK to install your fan.



This slope is more than 32°. Your fan will not hang straight down; an adapter is necessary. Contact your local Authorized Casablanca Dealer in regards to purchasing a "Sloped Ceiling Adapter."



## FAN INSTALLATION GETTING STARTED

### Installing a New Ceiling Fixture Outlet Box

If you do not have an existing fixture located where you wish to place your Casablanca fan, an approved ceiling fixture outlet box must be installed and wired.

**WARNING!**  
To reduce the risk of fire, electrical shock, or personal injury, mount to outlet box marked "Acceptable Fan Support of 22.7 kg (50 lbs.) or less" using the mounting hardware provided with the outlet box.

### Using Existing Ceiling Fixture Outlet Box

After turning the power OFF at its source (either the circuit breaker or fuse box), lower the old fixture and disconnect the wiring. Check the ceiling fixture outlet box to be sure it is marked "Approved for Ceiling Fan Mounting." If it is not, a new box must be installed.

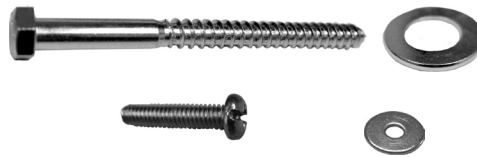
Note: The weight of this fan is 26 pounds.

## CEILING PLATE INSTALLATION

CEILING HARDWARE (not to scale)



Ceiling Plate



Screw Pack:  
Lag Screw and Washer (1)  
1" x 8-32 Roundhead Screw and Washer (2)

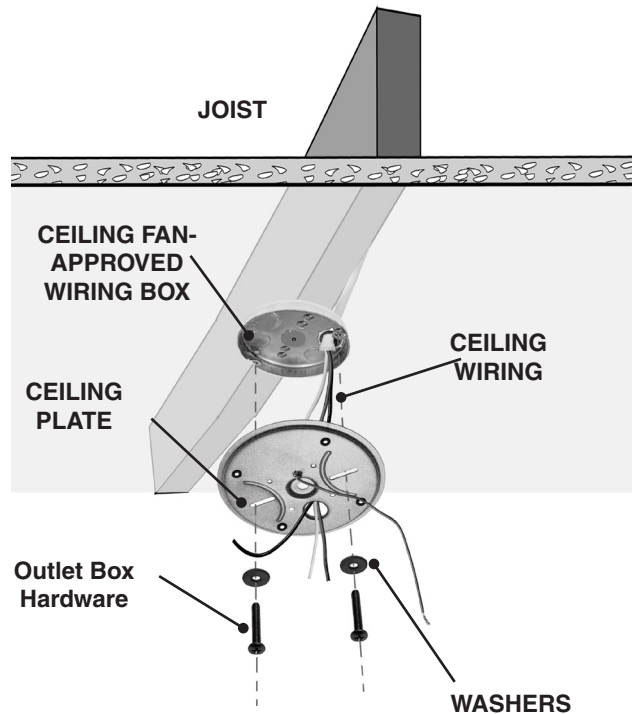


Wire Nut (4)

**Note:** After removing the old fixture, check the outlet box to ensure that it is supported by a joist or beam across its upper surface. If not, a 2 x 4 stud must be installed.

**Step 1a.** Remove the knockout plug in the center of the outlet box or drill a 1/2-inch hole for the lag screw to pass through. Then drill a 1/4-inch guide hole into the joist or beam to a depth of 3 inches.

**Step 1b.** Route the outlet box wires through the hole of the ceiling plate as shown. Attach the ceiling plate to the outlet box with the screws provided, making sure the outlet box wires are not being pinched.

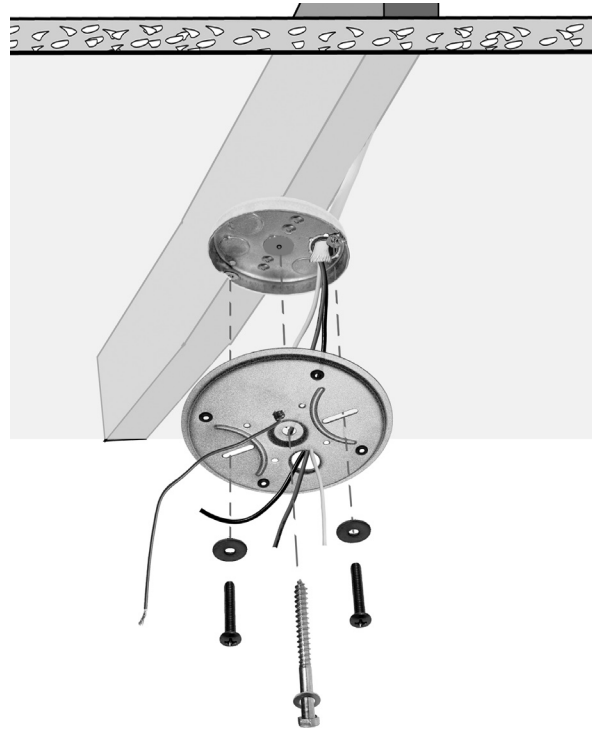


**CAUTION:**  
To reduce the risk of personal injury, use only the mounting hardware provided with the approved outlet box to install the ceiling plate.

## LAG SCREW INSTALLATION

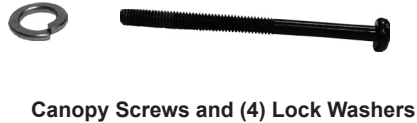
**NOTE:** This step is required only under two conditions: If the fan weighs 36 lbs. or more or if the existing ceiling fixture outlet box needs to be modified for a ceiling fan application (for example, if the house is not new construction and you are replacing an existing light fixture). We recommend that the ceiling box be of sufficient capacity to support the weight of the fan and light fixture under any conditions. If in doubt whether you need to install the lag screw, consult a qualified electrician.

**Step 2.** With the large washer attached, pass the lag screw through the center hole of the ceiling plate and screw into the guide hole. Tighten until the outlet box is mounted firmly to the beam. This box must be secured to the ceiling firmly.



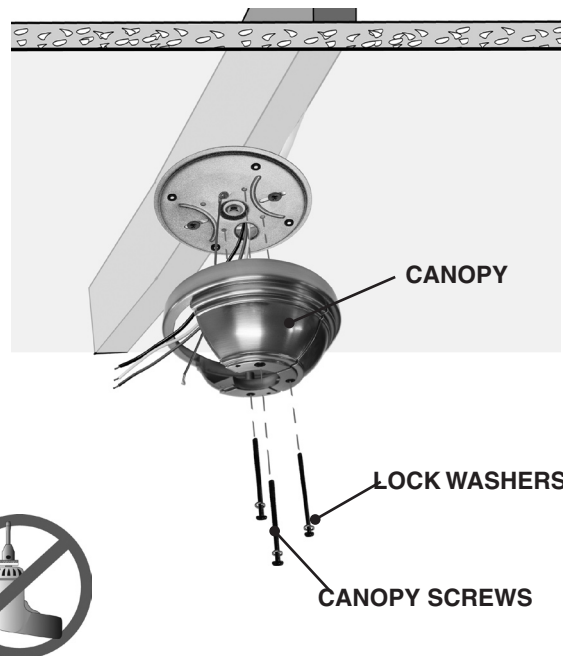
## CANOPY INSTALLATION

CANOPY HARDWARE (not to scale)



**Step 3.** Attach the canopy to the ceiling plate with three of the 8-32 x 2 1/2" long canopy screws and lock washers provided with your Casablanca fan. Tighten using the provided screwdriver until snug against the ceiling.

**NOTE:** On sloped ceilings, align the canopy opening with the top or peak of the room.





**FAN PREPARATION**

PERMA•LOCK™ HARDWARE (not to scale)



Perma•Lock™ Downrod and Ball Assembly



Hanging Adapter Cover



Canopy Cover Ring



Allen Wrench



(6) 7-Watt Uplight Bulbs

**IMPORTANT SAFETY INFORMATION:**  
 Before starting the installation of your ceiling fan, install the threaded downrod into the motor coupling and lock the assembly.

PAPER MOTOR SHIELD



Figure #1

Prepare for fan installation as follows:

**Step 4a.** Remove the paper shield from the motor as shown in Figure #1.

**Step 4b.** Using the provided Allen wrench (attached to the paper motor shield), loosen the Allen set screw making sure that end of the Set Screw can not be seen within the motor coupling as shown in (Figure #2). If so, you will need to unscrew the Set Screw so that the tip of the Set Screw does not remain in the path of the downrod as shown in (Figure #3).

**CAUTION:** Failure to fully lock in the downrod before securely tightening the Allen set screw may cause the fan to separate from the downrod and fall during normal operation.



Figure #2



Figure #3

**FAN PREPARATION - CONTINUED**

**Step 4c.** Slide both the hanging adapter cover and canopy cover ring on to the pole, then route the wires through the 3.5" Perma-Lock downrod and ball assembly as shown in Figures #4. Insert the downrod into the motor coupling and turn it clockwise until it stops turning, ensuring that the pole has bottomed out.

**TIP:** The downrod has a tapered thread that is designed to lock completely when installed correctly.

**Step 4d.** Tighten the set screw with the Allen wrench as shown in Figure #5 to ensure safe operation of your fan. If it is tight enough, you should not be able to turn the downrod counterclockwise with your hands. If in doubt, tighten the set screw with the Allen wrench until you cannot turn it any further.

**CAUTION:** Failure to fully lock in the downrod before securely tightening the Allen set screw may cause the fan to separate from the downrod and fall during normal operation.

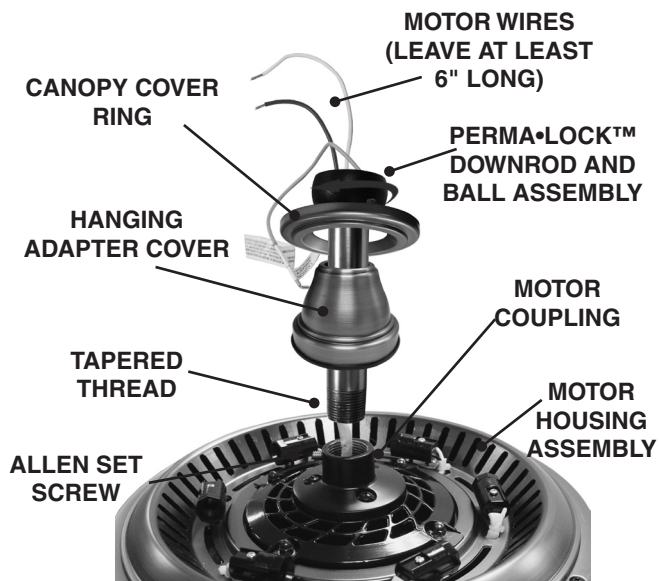


Figure #4

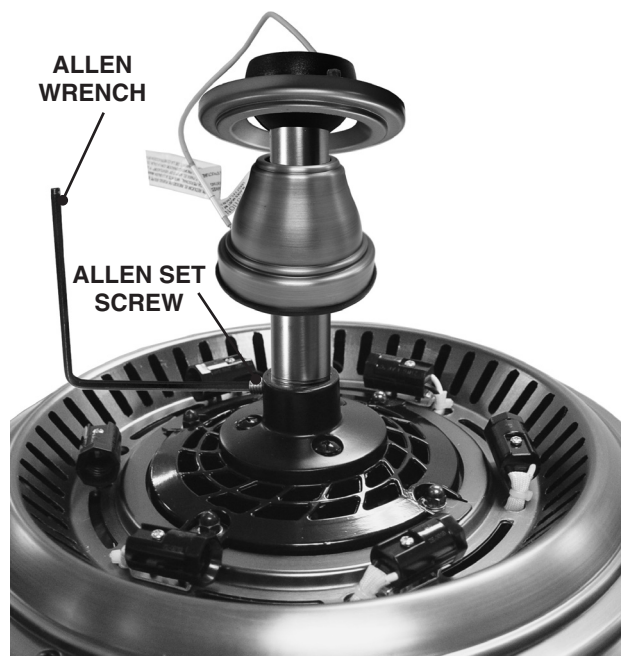


Figure #5



## FAN PREPARATION - CONTINUED

**Step 4e.** Slide the hanging adapter cover down over the motor coupling as shown in Figure #6, making sure that the adapter cover is covering the motor coupling as in shown Figure #7.

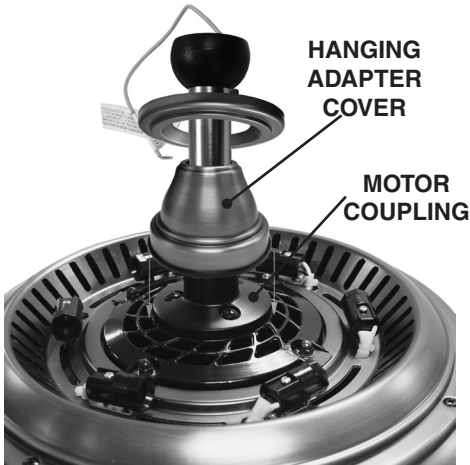


Figure #6

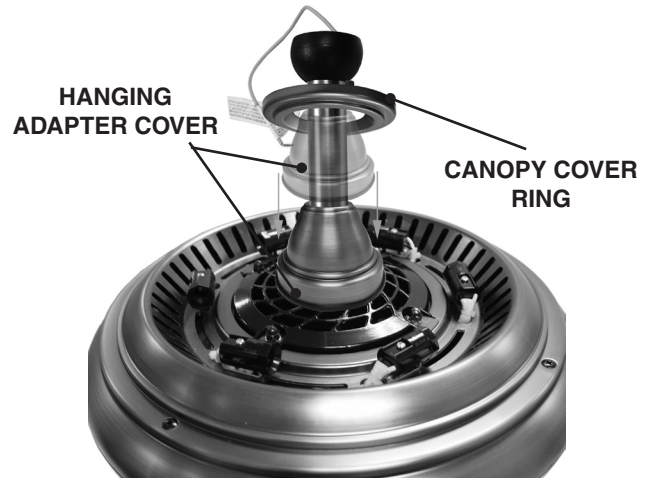


Figure #7

## LIGHTBULB INSTALLATION (uplight)

### Install Lightbulbs:

**Step 5.** Insert the six 7-watt lightbulbs for the uplight as shown in Figure #1.



(6) 7-watt Uplight Bulbs

**NOTE:** When replacing these lightbulbs, be sure to use only 7-watt maximum.

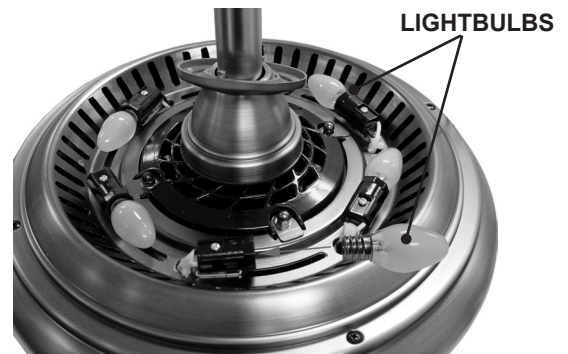
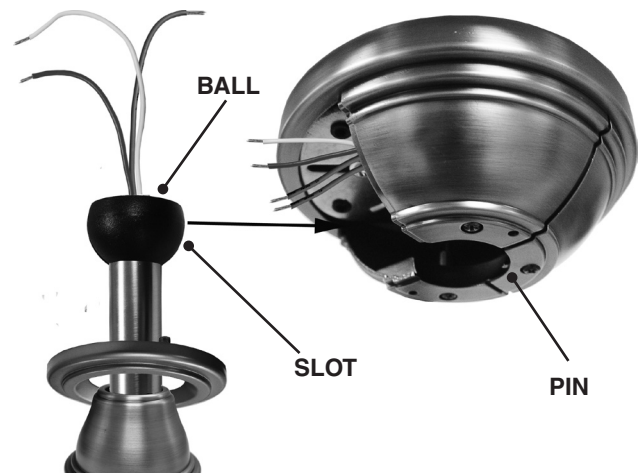


Figure #1

## HANGING THE FAN

**Step 6a.** To hang the fan body in the canopy, hold the fan body firmly and insert the ball into the canopy opening. Check that no wires are pinched. Rotate the fan body until the slot in the ball fits into the pin opposite the canopy opening.

**Step 6b.** Trim excess motor wires, leaving at least 6 inches above the downrod. Strip 1/2-inch insulation from the end of each wire using a wire stripper (available at your local hardware store).



## CANOPY ELECTRICAL CONNECTIONS

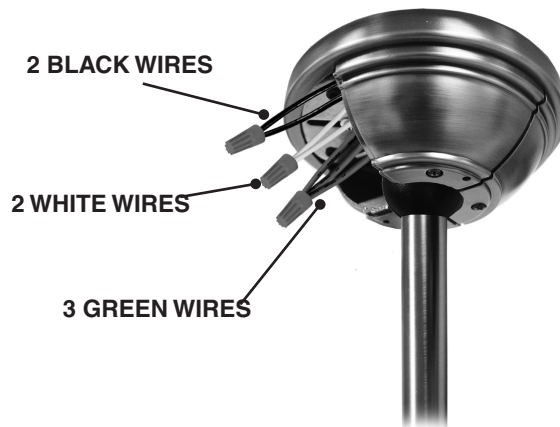
**Step 7.** Attach the fan wires to the ceiling fixture outlet box wiring by placing the bare ends of the wires side by side and then securing with a wire nut. Test that the connection is secure by pulling on the wire nut. Connect in this order:

- **GREEN** leads from mounting plate and downrod assembly of fan to **GROUND** conductor of power source. Secure with wire nut.
- **WHITE** wire from fan to white **NEUTRAL** wire in ceiling fixture outlet box. Secure with wire nut.
- **BLACK** power wire from fan to **BLACK** power wire in ceiling outlet box. Secure with wire nut.

**NOTE:** If the color of your ceiling wires differs from that described, consult an electrician.



WIRE NUT



## CANOPY HATCH AND COVER RING INSTALLATION

**Step 8a.** Tuck the wires into the canopy with the wire nuts pointed upwards, so that the **WHITE** and **BLACK** wires are on opposite sides of the canopy and all wires are clear of the canopy opening.

**Step 8b.** Install the canopy hatch with the last canopy screw and lock washer using the provided screwdriver. To do this, tilt the fan body away from the hatch opening. Tighten the screws firmly.

**Step 8c.** Straighten the fan, then check to ensure there is no movement between the canopy and the ceiling or the Perma•Lock™ downrod and the ball assembly.

**Step 8d.** Locate the locking pins on the canopy cover ring as shown in Figure #2. Lift up on the canopy cover ring and guide the two (2) locking pins into the two (2) locking holes, then snap the canopy cover in to place as shown in Figure #3.

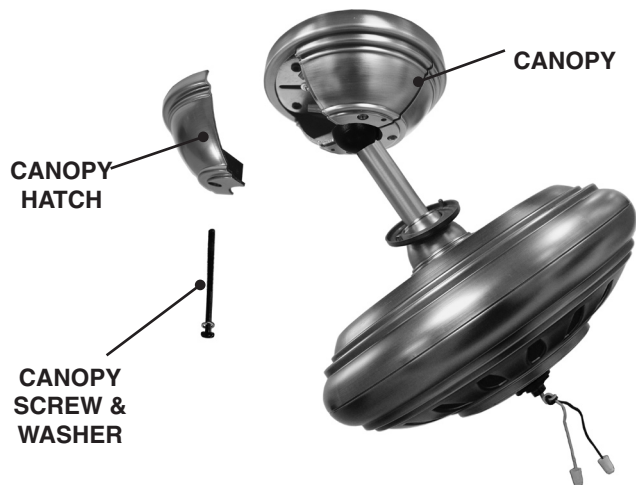


Figure #1

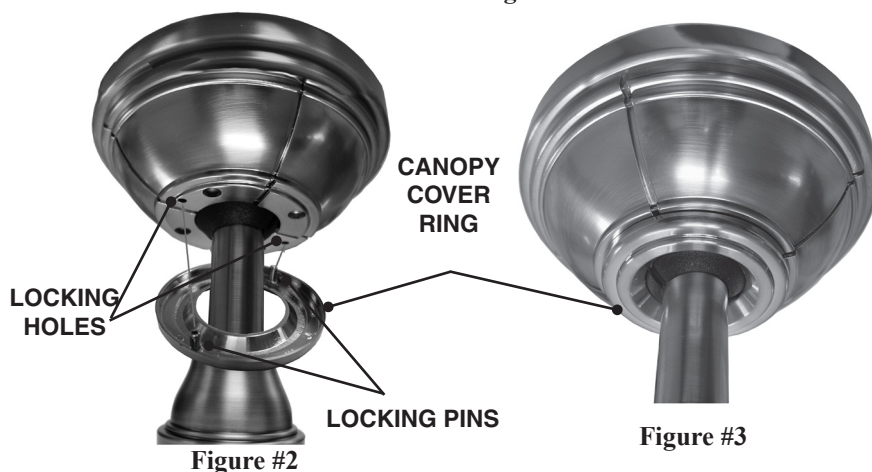


Figure #2

Figure #3



## BLADE INSTALLATION

### BLADE HARDWARE (not to scale)



Blades (5)



Blade Irons (5)



Blade Iron Screws



Washers (16)



Blade Screws (16)



Phillips Screwdriver

**Step 9a.** Remove the five shipping blocks, and screws as shown in Figure #2. DO NOT discard the ten (10) screws; you will need them for installing the blades onto the fan.

### Attach Blade Irons

**Step 9B.** Attach a blade to a blade iron by first pressing the blade iron onto the blade, then attaching the blade iron using three blade screws and blade washers as shown in Figure #3. Using the provided screwdriver, tighten securely *by hand only*. Repeat for each blade assembly.

### Blade Installation

**Step 9c.** Before attempting to attach the blades, review Figure #4 for blade placement on the flywheel. The numbers and lines show screw placement when attaching the five blade irons and blades assemblies to the fan.

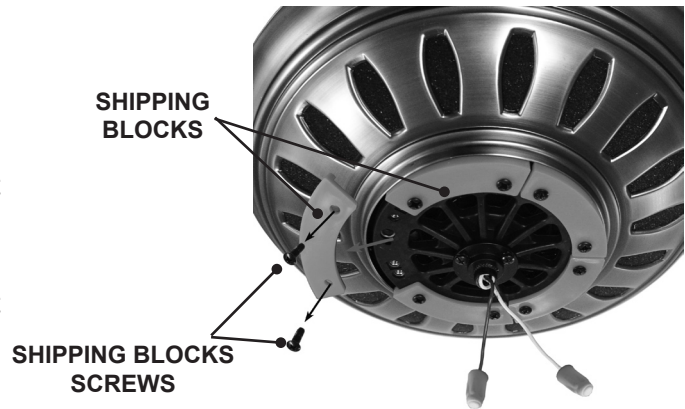


Figure #2

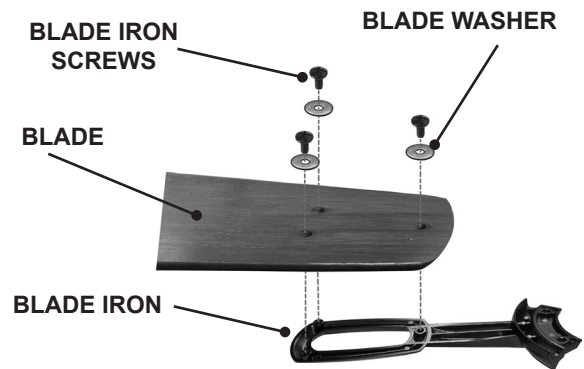


Figure #3

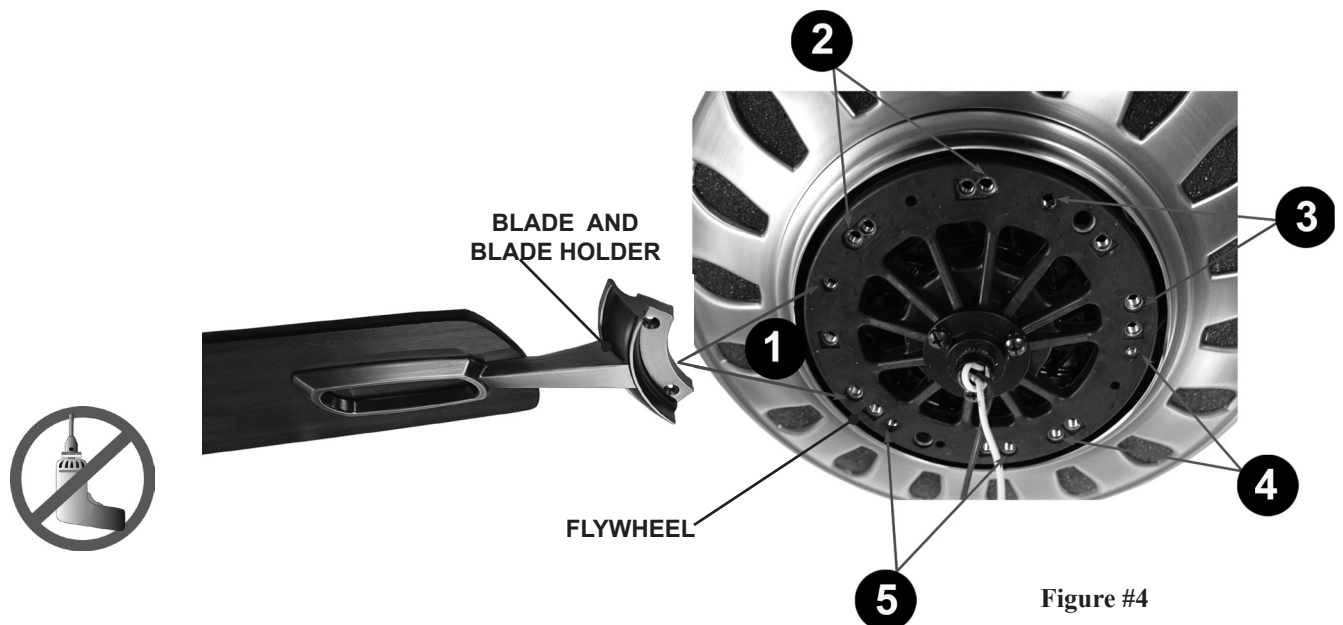


Figure #4

### Blade Installation Continued

**Step 10b.** Attach a blade/blade iron assembly to the flywheel by using two blade iron screws provided. Place the end of the blade iron on the flywheel as shown in Figure #5. Insert the screws one by one using the provided screwdriver. Tighten securely *by hand only*. Repeat for each blade/blade iron assembly until all five blades are attached to the fan as shown in Figure #6.

**CAUTION:**

Blade screws must be tightened securely before operating the fan.

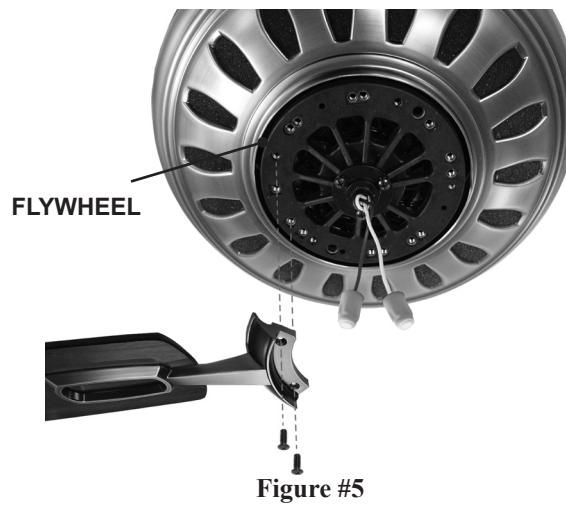


Figure #6

## LIGHT FIXTURE INSTALLATION (OPTIONAL)

NOTE: If you are installing your fan without a light kit attached as below in Figure #1, continue with these installation instruction Step 11a. If you have purchased a light kit for installation on your fan, skip this section and go to Step 13a on page 18 within this document.

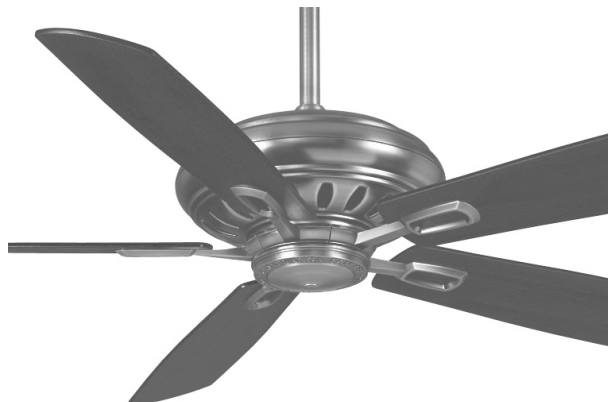


Figure #1



**SWITCH HOUSING AND END CAP INSTALLATION**

**NO LIGHT KIT - Installation:**

**NOTE:** If you are installing your fan without a light kit attached as shown in Figure #1, continue with these installation instruction



Figure #1

**SWITCH HOUSING HARDWARE (not to scale)**



Light Kit Adaptor Assembly

**Step 11a.** Locate the light kit adaptor assembly and screw plug as shown in the switch housing hardware section above. You will need to install the complete assembly for no light kit installation.

**NOTE:** Do not discard screws during disassembly, all screws will be needed for other installation steps within this document.

**Light Kit Adaptor Disassembly**

**Step 11b.** Locate and remove the one #8-32 screw that is attaching the bottom cap to the light kit adaptor assembly as shown in Figure #2 and remove the bottom cap. Do not discard screws during disassembly.

**Step 11c.** Locate and remove the four #6-32 screws from the cap and remove the cap. Do not discard the screws during disassembly.

**NOTE:** Locate the light kit adaptor as shown in Figure #2, this adaptor plate will need to be attached to the fan during fan installation for light kit or no light kit installation.

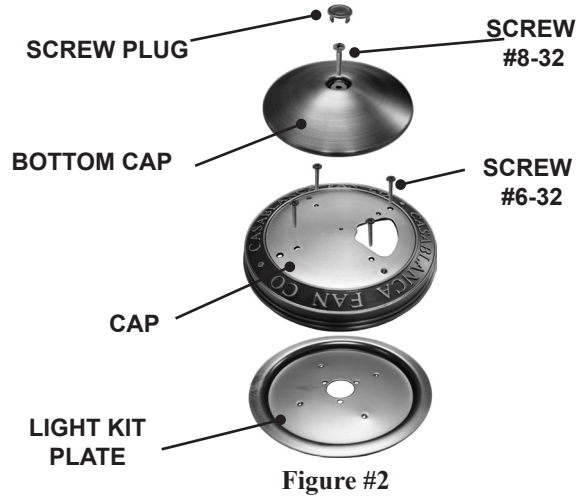


Figure #2

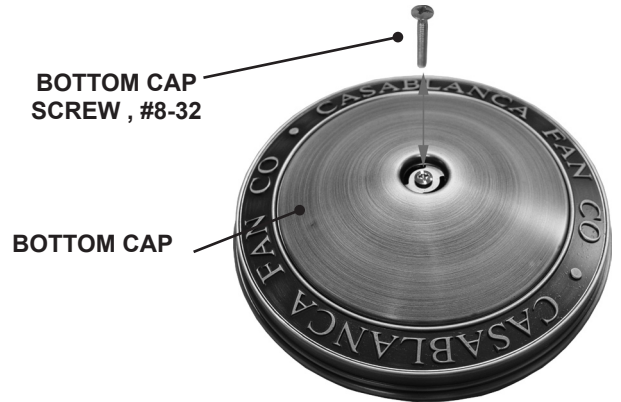


Figure #3

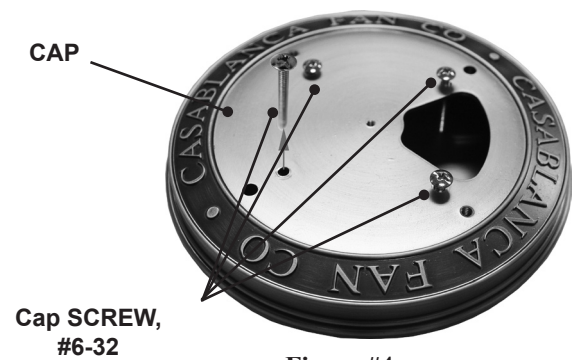


Figure #4

**Switch Housing and Light Kit  
Adaptor Installation: - ( NO LIGHT KIT)**

**Step 12a.** Locate and remove the three #8-32 screws from the center shaft adapter located on the bottom of the fan as shown in Figure #1. Do not discard the screws, all three screws will be needed for the next steps with in this document.

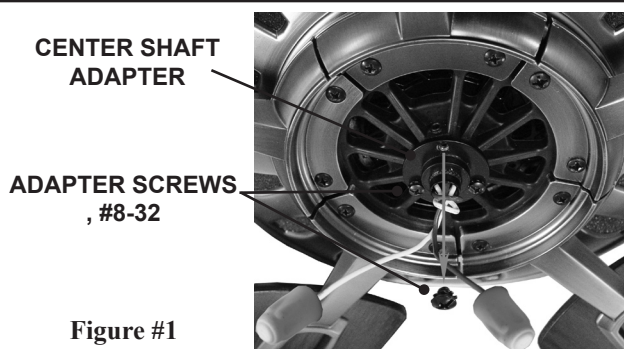


Figure #1

**Step 12b.** Locate the light kit adaptor plate and thread the BLUE and WHITE wires through the hole in the center of the light kit adaptor plate, also as shown in Figure #2.

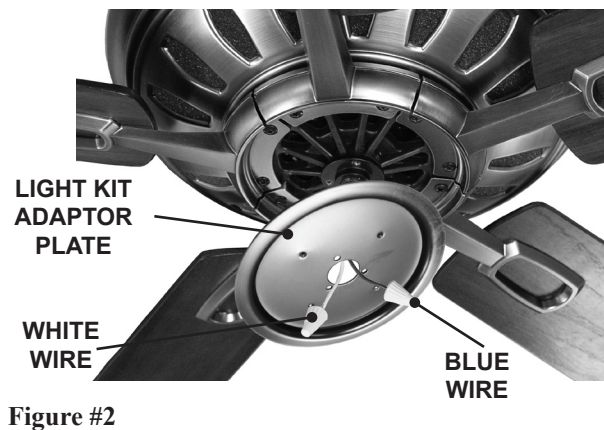


Figure #2

**Step 12c.** Locate the three screws that you removed from the center shaft adapter during Step 12a. These three screws are needed to attached the light kit adaptor plate to the fan. Align the screw hole on the light kit adaptor plate with the screw holes on the center shaft adaptor and insert all three screws as shown in Figure #3. Then tighten all three screws with the provided screwdriver.

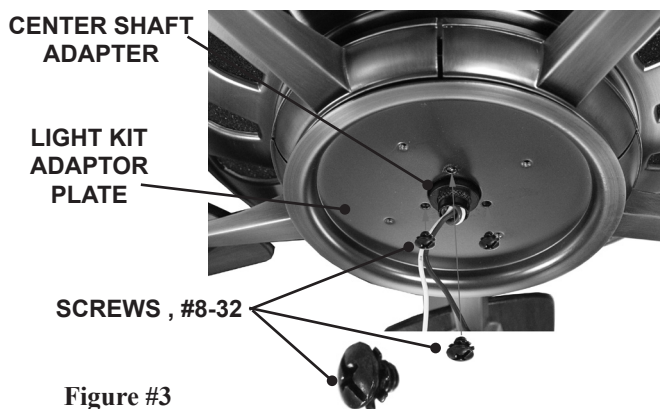


Figure #3

**NOTE:** Make sure that the wire nuts on the ends of the WHITE and BLUE wires are securely attached to the ends of the wires and that the wires are tucked out of the way so that the wires are not pinched when attaching the cap.

**Step 12d.** Locate the light kit adaptor plate cap as shown in Figure #4 and align the four screw holes on the cap with the holes on the light kit adaptor plate. Using the four (4) screws that you removed earlier from the light kit adaptor assembly (see step 11c), insert the four screws, attaching the cap to the bottom of the fan. Then tighten all four screws with the provided screwdriver.

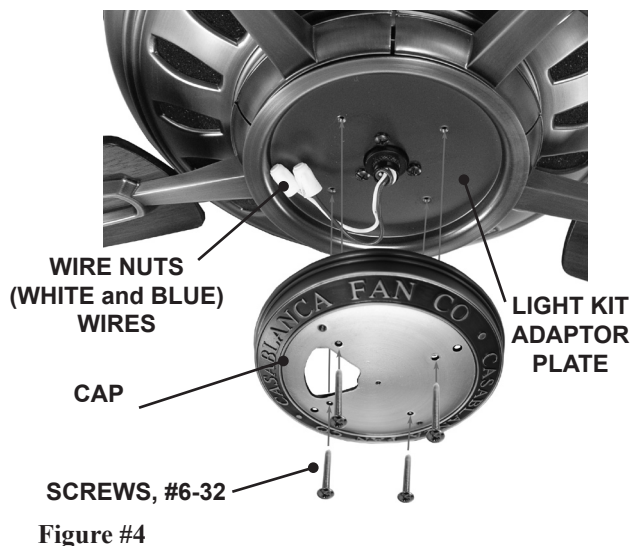


Figure #4



**Switch Housing and Light Kit  
Adaptor Installation - Continued ( NO LIGHT KIT)**

**Step 12e.** Locate the bottom cap and screw as shown in Figure #5, using the screw that you earlier removed from the light kit adaptor assembly (see step 11c) and insert cap screw through the hole in the center of the cap and attaching the cap the bottom of the fan as shown in Figure #5 on this page. Then tighten the screw with the provided screwdriver.

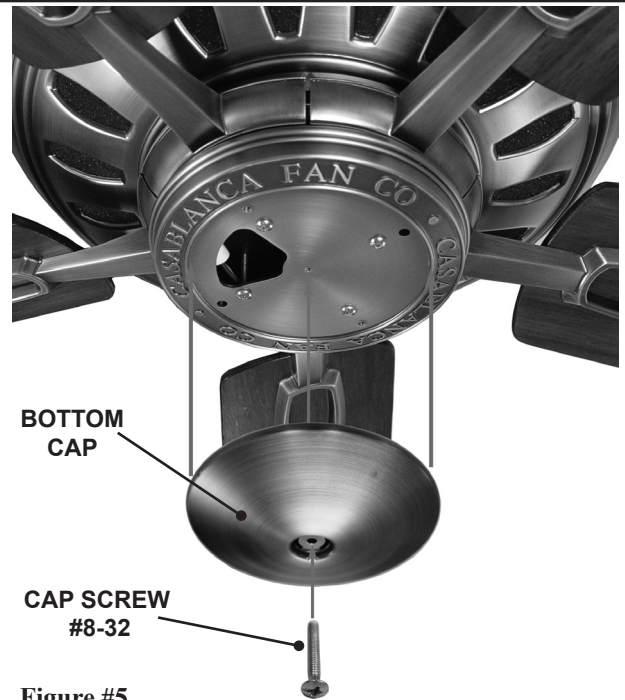


Figure #5

**Step 12f.** Locate the end cap screw plug shown in Figure #6, align and insert the two (2) holding tabs located on the screw plug with the slots located in the center of the end cap, then press on the plug locking end cap screw plug into place also as shown in Figure #6 and Figure #7.

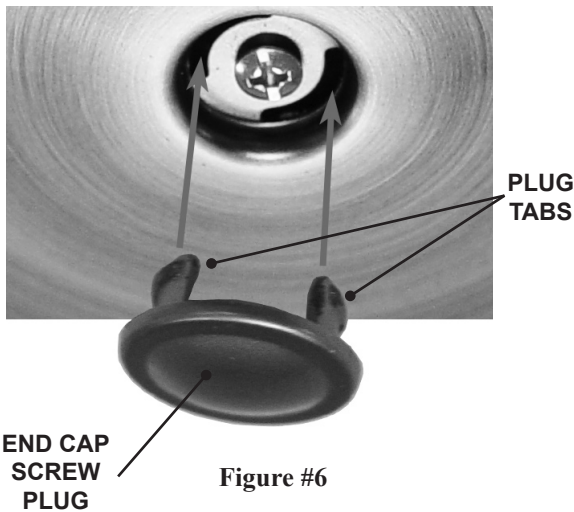


Figure #6



Figure #7

**Switch Housing and Light Kit  
Adaptor Installation ( NO LIGHT KIT ) - END**

**NOTE:** To continue installation instruction, go to (Inteli-Touch 3 - Control Installation) within this document.

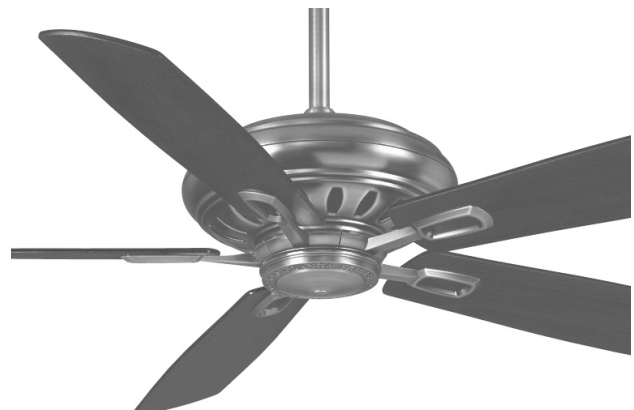


Figure #8

## SWITCH HOUSING AND END CAP INSTALLATION

### LIGHT KIT - Installation:

**NOTE:** If you are installing your fan with a light kit attached as below in Figure #1, continue with these installation instruction Step 13a. Also you will need the installation instructions that came with your new light kit to complete the installation of the fan.

Figure #1



#### SWITCH HOUSING HARDWARE (not to scale)



**Step 13a.** Locate the light kit adaptor assembly and screw plug as shown in the switch housing hardware section above. You will need to disassemble and use parts from the light kit adaptor assembly for adding a light kit to your fan.

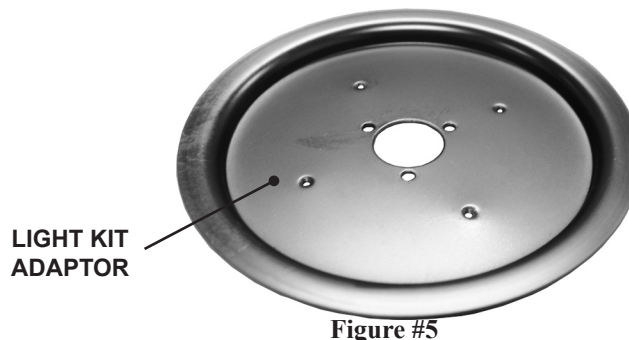
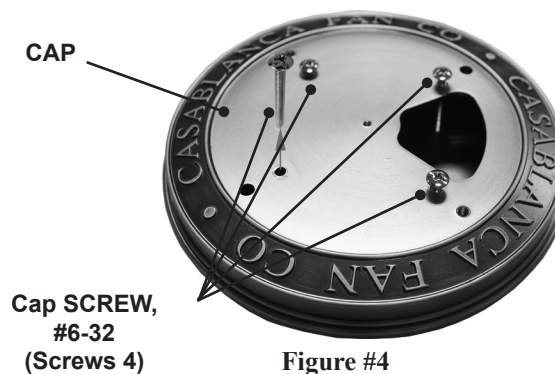
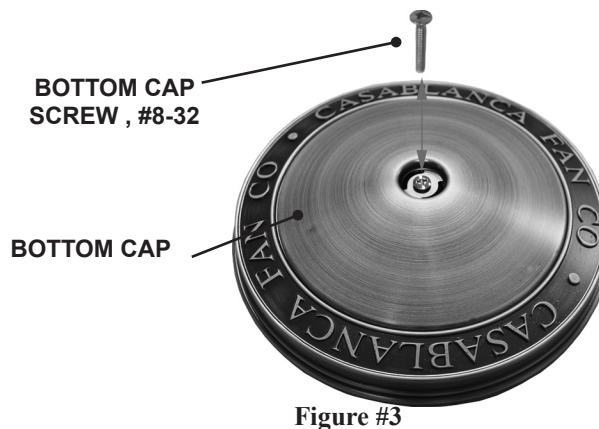
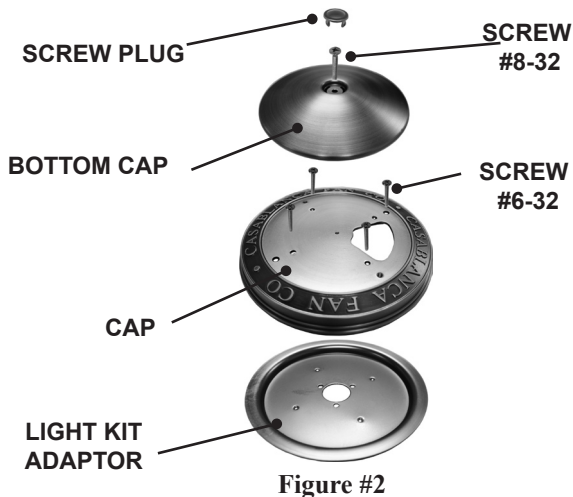
Do not discard screws during disassembly, all screws will be needed for other installation steps within this document.

#### Light Kit Adaptor Disassembly

**Step 13b.** Locate and remove the #8-32 screw that is attaching the bottom cap to the light kit adaptor assembly as shown in Figure #3 and remove the bottom cap. Do not discard screws during disassembly.

**Step 13c.** Locate and remove the four (4) #6-32 screws from the cap as shown in Figure #4 and remove the cap. Do not discard screws during disassembly.

**NOTE:** Locate the light kit adaptor as shown in Figure #5, this adaptor plate will need to be attached to the fan during fan installation, installation instructions continued on the next page of this document.





**Switch Housing and Light Kit  
Adaptor Installation: - Continued ( LIGHT KIT)**

**Step 14a.** Locate and remove the three (3) #8-32 screws from the center shaft adapter located on the bottom of the fan as shown in Figure #6.

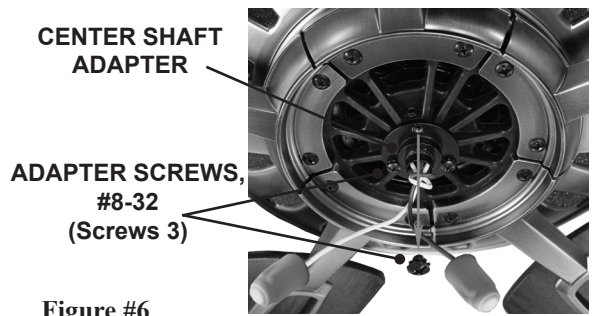


Figure #6

**Step 14b.** Locate the light kit adaptor plate as shown in Figure #7 and thread BLUE and WHITE wires through the hole in the center of the light kit adaptor plate, also as shown in Figure #7.

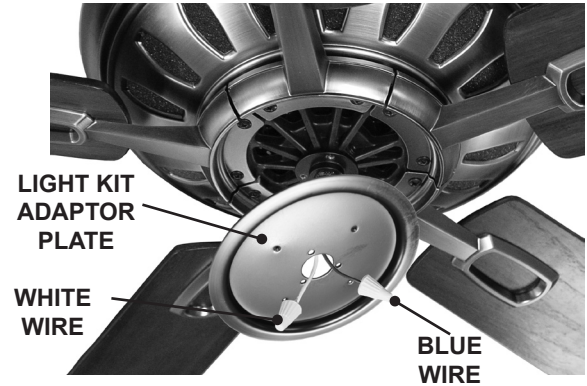


Figure #7

**Step 14c.** Locate the three (3) screws that you removed from the center shaft adapter during Step 14a, these three screws are needed to attached the light kit adaptor plate to the fan. Align the screw hole on the light kit adaptor plate with the screw holes on the center shaft adapter and insert all three (3) screws as shown in Figure #8. Then tighten all three screws with the provided screwdriver.

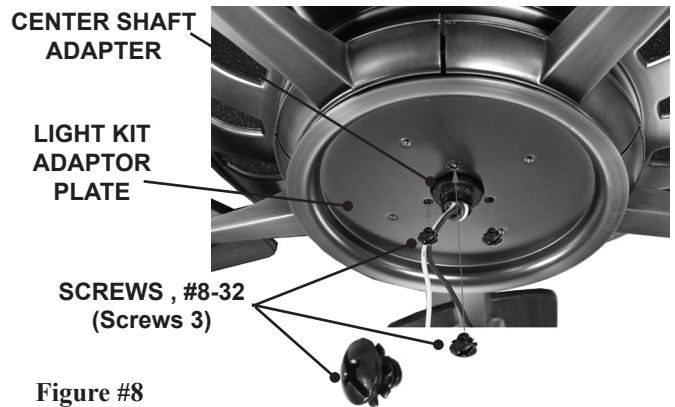


Figure #8

**Step 14d.** Locate the light kit adaptor plate cap as shown in Figure #9 and thread BLUE and WHITE wires through the hole in the center of the light kit cap, also as shown in Figure #9



Figure #9

## Switch Housing and Light Kit Adaptor Installation: - Continued ( LIGHT KIT)

**Step 14e.** Align the four screw holes on the cap with the holes on the light kit adaptor plate, using the four (4) screws that you earlier removed from the light kit adaptor assembly (see step 11c) and insert the four (4) screws, attaching the cap to the bottom of the fan as shown in Figure #10 on this page. Then tighten all four (4) screws with the provided screwdriver.

**NOTE:** Locate and open the box for the light kit that you are installing on the fan and locate the installation instructions. If the installation instructions refer to attaching the light kit by screwing the center stem in to the bottom of the fan, switch housing cap or that the light kit is mounted by screw the center stem into the bottom of the fan, it may look like the light kit as shown in Figure # 12. You will need to use the switch housing cap that has been provided in the box as shown in Figure #11 during the installation of the light kit. Otherwise, skip to step 14g.

**Step 14f.** Locate the switch housing cap as shown in Figure #11. Then attach the light fixture to the switch housing cap by first threading the BLACK and WHITE wires through the hole in the center of the switch housing cap, also as shown in Figure #13, and then screw the light kit fixture to the bottom of the switch housing cap by screwing the center stem of the light fixture into the bottom switch housing cap as shown in Figures # 13 and #14. Secure the light kit to the switch housing by placing the lock washer and hex nut you removed from the light kit onto the center stem and screw on firmly.

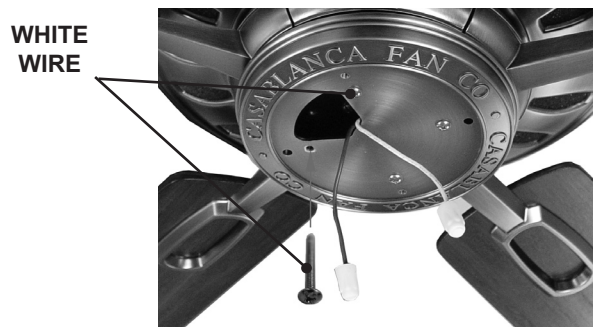


Figure #10

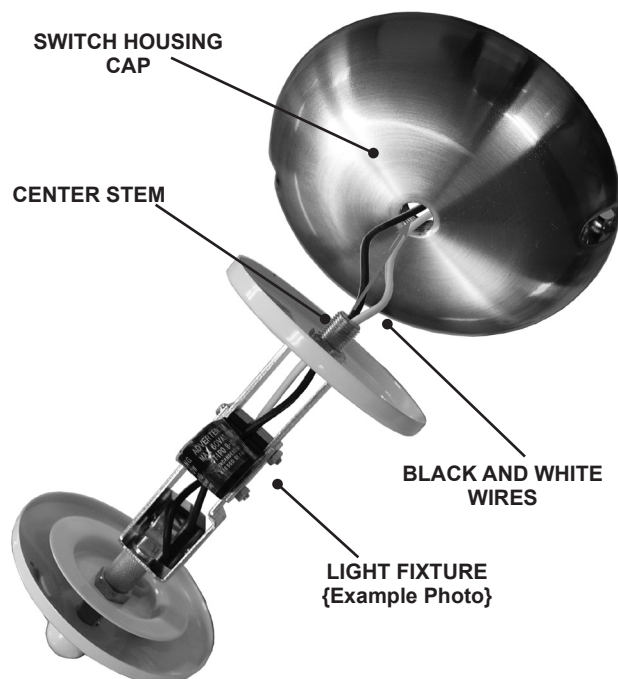
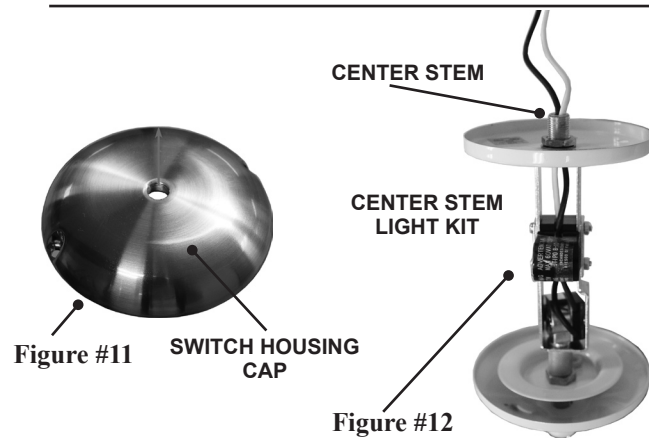


Figure #13

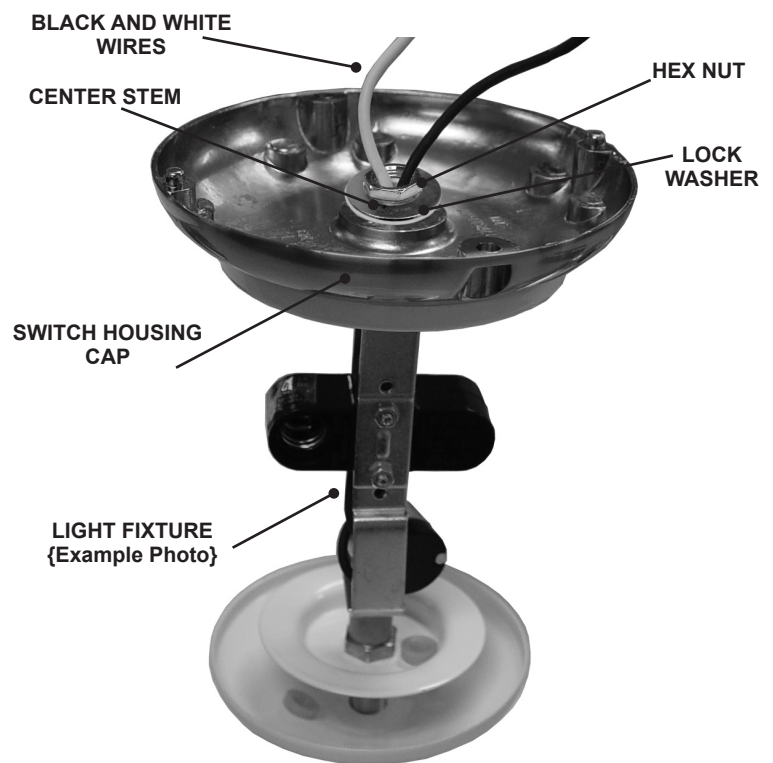
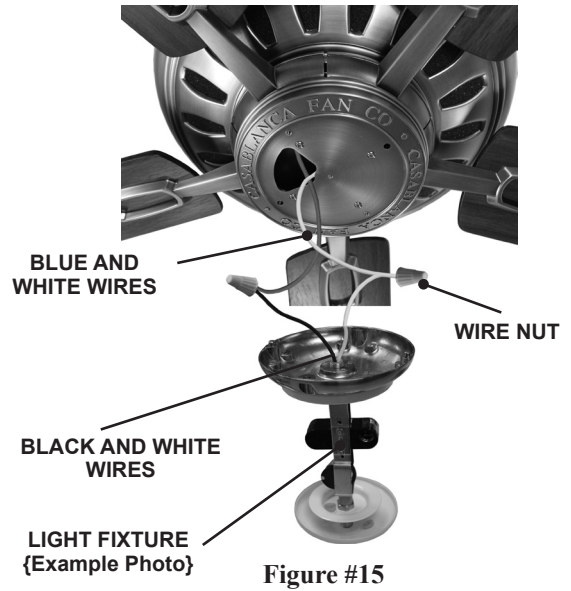


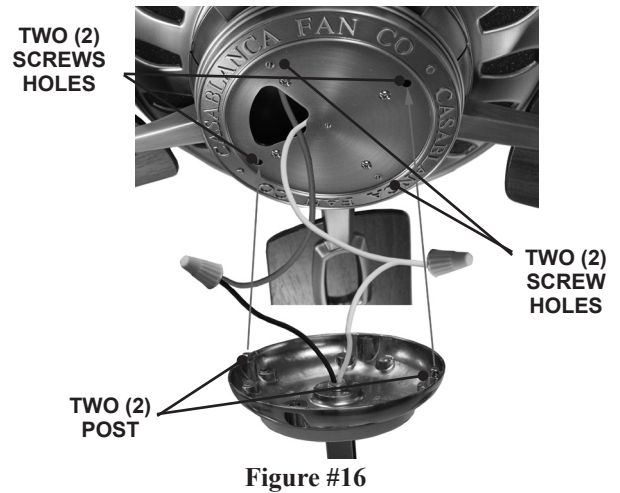
Figure #14

**Switch Housing and Light Kit  
Adaptor Installation: - Continued ( LIGHT KIT)**

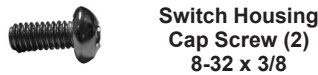
**Step 14g.** Connect the wires of the motor to the wires of the light fixture. Connect the **BLUE** wire from the motor to the **BLACK** wire of the light fixture and connect the two **WHITE** wires together, as shown in Figure #15. Secure the connection using the wire nuts.



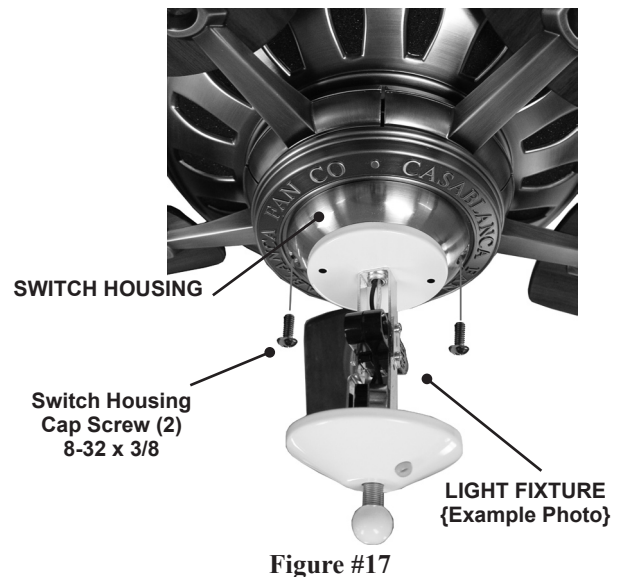
**Step 14h.** Align the two (2) posts on the light kit assembly and the two (2) holes located on the switch housing cap as shown in Figure #16 and insert the posts on the light kit assembly into the two (2) holes on the light kit adaptor plate cap as shown in Figure #16.



**Step 14h.** Locate the two (2) switch housing cap screws as shown in Figure #17. Then attach the light fixture to the switch housing on the bottom of the fan as shown in Figure #17 and tighten the screws with the provided screw driver.



**Step 15i.** At this time locate and continue the installation of the light kit by using the installation instructions that were provided within the box with the light kit. Once the light kit has been installed return to the next section (WALL CONTROL PREPARATION) of this document. You will need to install the wall control (W-84) and learn how to operate the fan and light on the Holliston fan.





W-84 WALL CONTROL PREPARATION

WALL CONTROL AND HARDWARE (not to scale)



W-84 Wall Control



Switch Mounting Screws (2)



Switch Bezels  
(1) White (pre-installed)  
(1) Almond



White Wall Plate (1)



Almond Wall Plate (1)



Wall Plate Screws  
(2) White  
(2) Almond



(4) Wire Cap

Prepare for W-84 Wall Control Bezel replacement as follows:

Before installing the W-84 wall control you will need to check and see if you will need to change the bezel on the front of the wall control from WHITE to ALMOND. If you are going to use white, skip these steps and go to wall control installation starting on page 24. If you are going to use the ALMOND bezel and wall plate you will first need to change the bezel on the front of the switch before installing the switch in to the wall.

**Step 1a.** Locate the four (4) tabs holding the bezel to the front of the switch, then press in on each tab one at a time, removing the bezel as shown in Figure #1.

**Step 1b.** Locate the rubber key pad attached to the four (4) locating pins as shown in Figure #2 and remove rubber key pad from the WHITE bezel, also as shown in Figure #2.

**Step 1c.** Reinstall the rubber key pad on to the four (4) locating pins located on the almond bezel as shown in Figure #3.

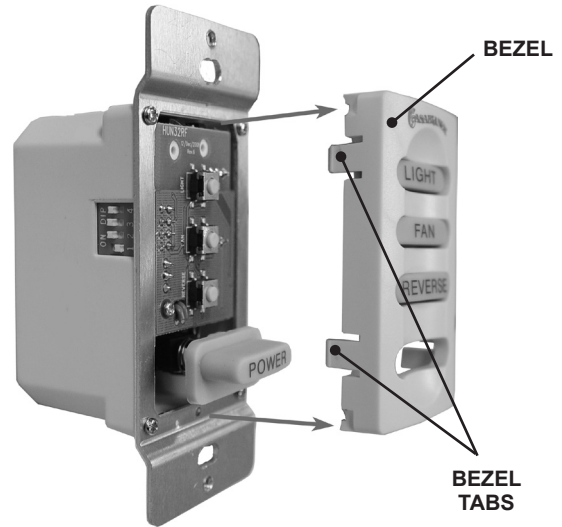


Figure #1

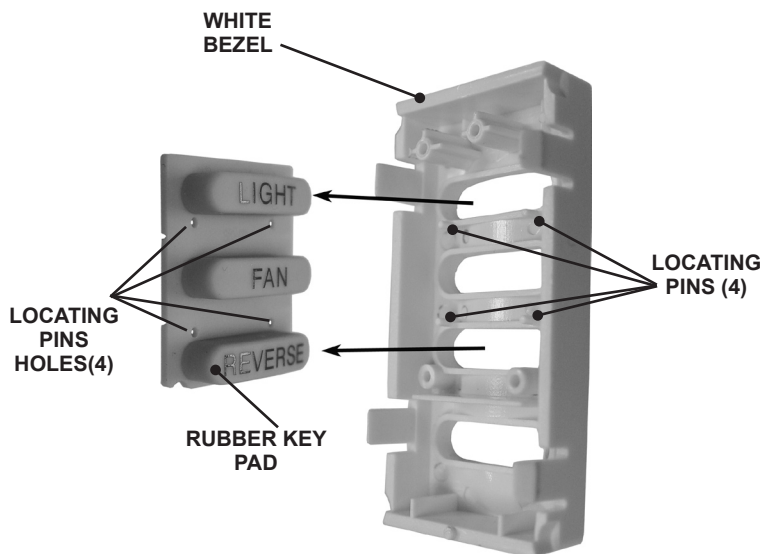


Figure #2

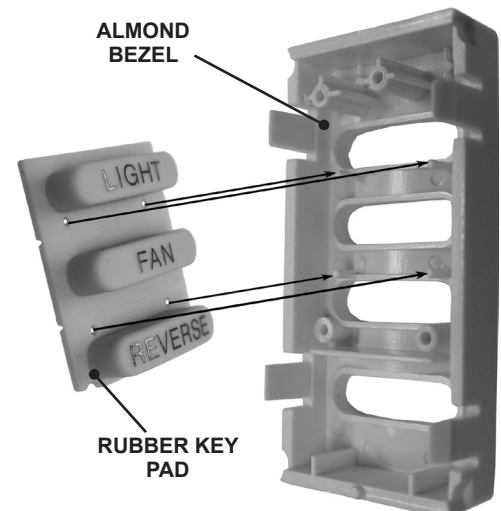


Figure #3





# Intel • Touch® 3

## Prepare for W-84 Wall Control installation - Continued

**Step 1d.** Before attaching the bezel back on to the front of the switch, make sure that the rubber key pad is attached to the locating pins on the bezel as shown in Figure #4.

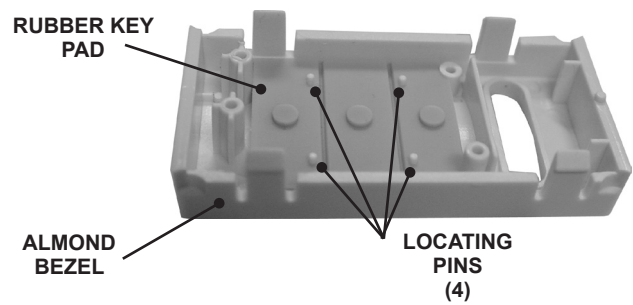


Figure #4

**Step 1e.** To attach the bezel back onto the front of the switch you will need to align the four (4) tabs on the bezel with the front of the wall control. Gently press on both top and bottom of the bezel at the same time, snap the bezel back on to the front of the switch as shown in both figures #5 and #6.

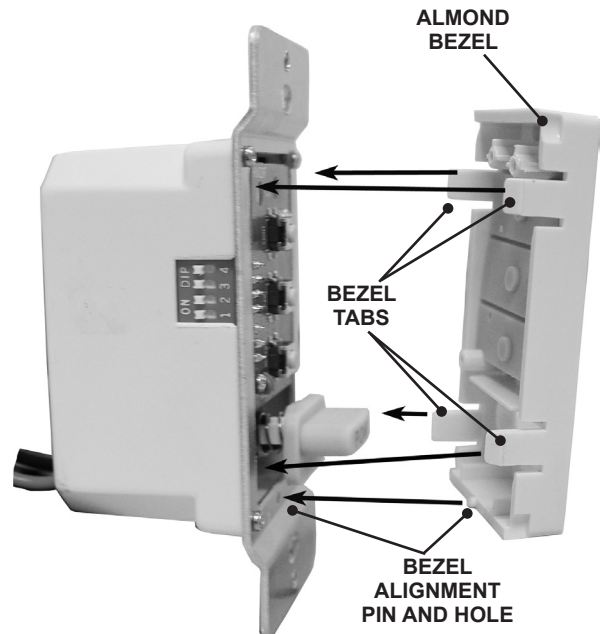


Figure #5

**Step 1f.** Check your work by pressing on the light, fan, reverse and power buttons, making sure that the buttons do not stick and that each switch functions properly.

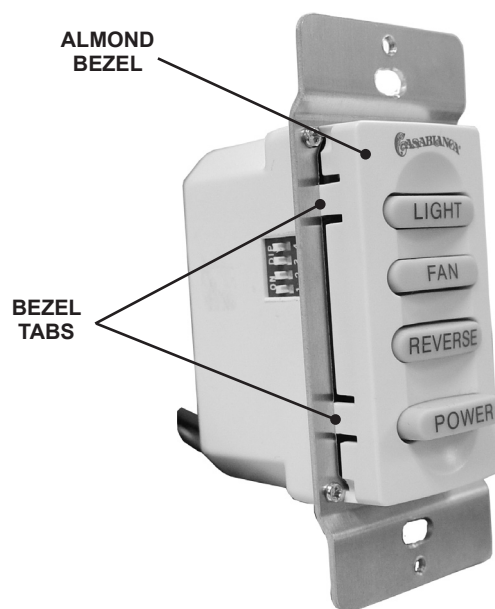


Figure #6

**W-84 CONTROL INSTALLATION**

**INSTALLING THE W-84 WALL CONTROL**

**NOTE:** W-84 Wall Control should only be installed on Casablanca's Intelli-Touch<sup>®</sup> 3 fans with UPLIGHTS ONLY or both an UPLIGHT and a DOWNLIGHT on the fan.

The wall control installs in the same manner as an ordinary light switch, using an existing wall box and wiring. This controller is designed to signal the fan microcomputer as well as perform normal switching operations. For this reason the following precautions must be observed:

1. Use only the Casablanca W-84 wall control.
2. Do not use any additional control with your Intelli-Touch 3 fan (for example, dimmer, or fan speed control).
3. Do not use more than one fan per wall control.
4. No other light fixtures or electrical appliances may be connected on the circuit controlled by the W-84 wall control.

**SINGLE W-84 INSTALLATION**

**CAUTION!**

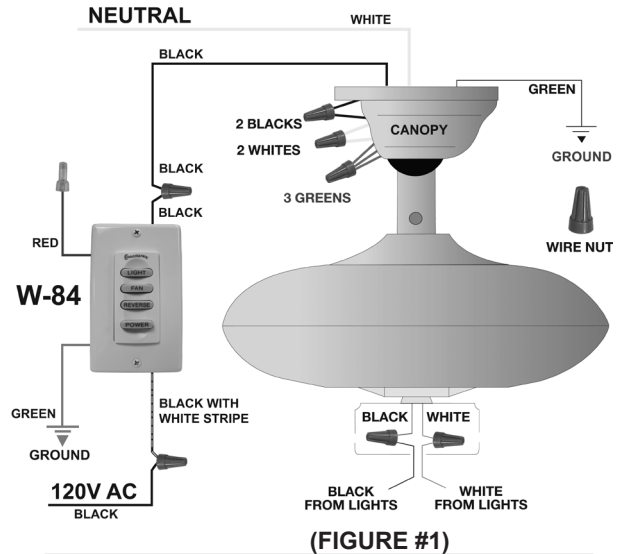
**Ensure power is turned OFF at the breaker or fuse panel before starting installation.**

W-84 is used to describe either white (-11) or almond finish. If you have multiple Intelli-Touch<sup>®</sup> 3 fans, refer to the section "Changing Frequency Setting" on page 6.

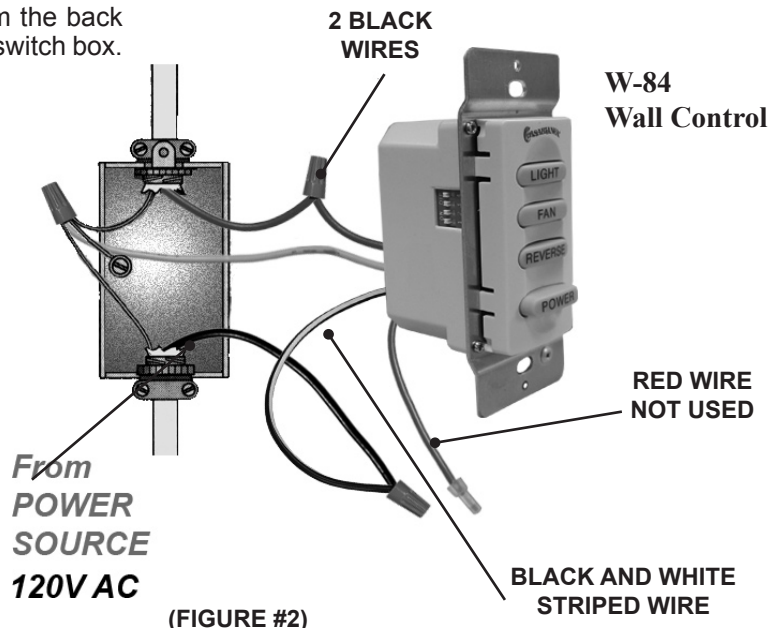
1. Remove the screws and switch plate from the existing switch box.
2. Remove the screws holding the switch in the switch box.
3. Pull the existing switch from the switch box to expose the wire connections.
4. Remove the two wires from the switch.
5. Connect the BLACK wire from the POWER SOURCE that you just removed from the switch to the BLACK/WHITE STRIP wire on the W-84 wall control. Secure this connection with a wire nut.
6. Connect the second BLACK wire that you just removed from the switch to the second BLACK wire on the located on the back of the W-84 wall control. Secure this connection with a wire nut.
7. Connect the green ground wire coming from the back of the W-84 control to the ground wire in the switch box. Secure the splice with a wire nut.

**NOTE:** The RED wire is not used in this application. DO NOT remove the crimped cap from the wire.

8. Check your work by using the wiring diagrams as shown in Figures # 1 and #2.
9. Install the W-84 in the wall box with the two long screws provided.
10. Install the wall plate with the two color-matched screws.



(FIGURE #1)



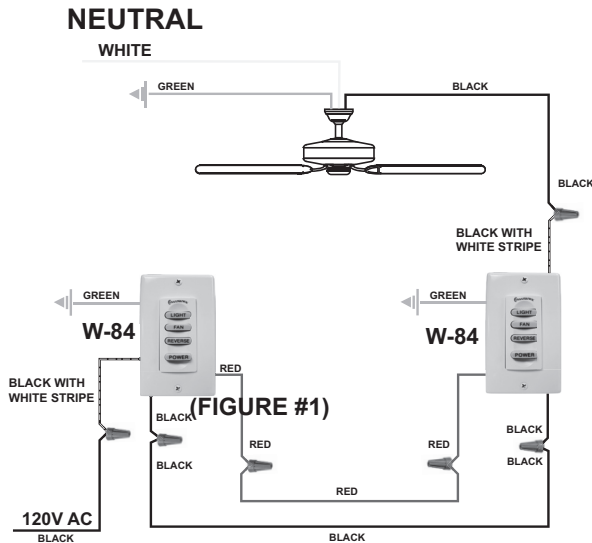
(FIGURE #2)

To control the fan and lights from two locations (a three-way circuit), use two W-84 wall controls as shown in the wiring diagram in Figure #1. Before installing the two switches into the wall, place both switches side by side, then locate the 4 dip switches on the side of the two switches as shown in Figure #2. Then make sure that the dip switches are set to the same address on both switches as shown in Figure #2. When setting these dip switches you are setting the channel number that is required to control both your fan and lights from both sides of the room. If you are installing other Inteli-Touch® 3 fans within your home you may need to reset the dip switches on these other fans to a different channel before installing your W-84 wall control into the wall. Please review the section on channel changing within this part of the operation manual as shown on page #27.



**CAUTION!**

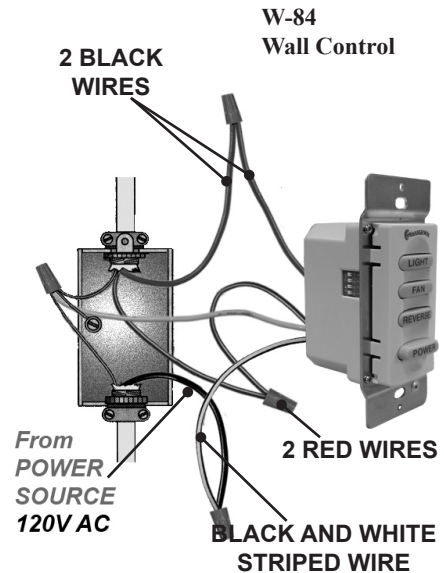
Ensure power is turned OFF at the breaker or fuse panel before starting installation.



To control the fan and lights from two locations (a three-way circuit), use two W-84 wall controls.

1. Remove the screws and switch plate from the existing switch box and the screws holding the switch in the switch box.
2. Pull the existing switch from the switch box to expose the wire connections.
3. Determine which wire is connected to the common terminal from the power source (120V AC) of the three-way switch. (The terminal will be marked on switch).

4. Remove the wire from the common terminal of the three-way switch. Connect this wire to the remaining black/white striped wire on the W-84 control. Secure this splice with a wire nut.
5. Remove the two remaining wires from the three-way switch. Connect the black wire of these wires to a black wire on the W-84 control. Secure the splice with a wire nut. The remaining red wire is to be connected to the other red wire on the W-84. Secure the splice with a wire nut.
6. Connect the green ground wire coming from the back of the W-84 control to the ground wire in the switch box. Secure the splice with a wire nut.
7. Check your work by using the wiring diagrams as shown in Figures # 1 and #3 on this page.
8. Install the W-84 in the wall box with the two long screws provided.
9. Install the wall plate with the two short color-matched screws provided.
10. Installation of the second W-84 control is identical. Repeat steps 1 through 7.

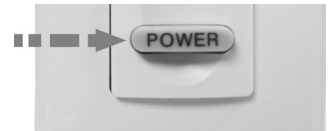


(FIGURE #3)

## OPERATION POWER

The **POWER** button is normally left in the on position. Always turn the power off during cleaning or servicing the fan and during thunderstorms. It is also used to exit or enter additional programs.

The **POWER** button must be left on to retain a previously set fan speed or light level.



## OPERATION SPEED CONTROL

There are six individual speed settings for the fan; each speed is indicated by an audible tone of increasing pitch.

To select the desired fan speed:

1. With fan off, press and hold the button labeled **FAN**. The fan blades will start rotating at the slowest speed, and will increase in steps.
2. Release the button when the desired speed is reached.

The fan speed is now in memory and will automatically come on at the same speed each time the **FAN** button is used. To maintain this level of speed, turn the fan on by pressing **FAN** less than one second. To lower speed, turn fan off, then on by pressing and holding the **FAN** button until the desired speed is reached. When the fan is on, you may increase the speed by pressing and holding the **FAN** button until the desired speed is reached, then release it.

### FAN CONTROL

**ON - OFF:**  
A momentary press of the **FAN** button

**CHANGE SPEED:**  
Press and hold **FAN** button longer than one second



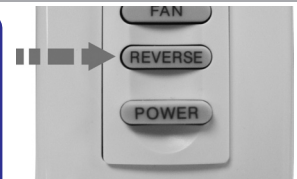
## OPERATION REVERSING AIRFLOW

The direction of airflow can be changed from downward to upward or from upward to downward.

To reverse the airflow:

1. Make sure the **FAN** is on and blades are Turning.
2. Press the **REVERSE** button.

**Note:** A four-toned signal indicates the command was accepted by the fan. A few seconds later the fan will slow to a stop and then reverse direction.



## OPERATION LIGHTS

To turn the lights off and on, press and release the **LIGHT** button for less than one second.

1. First press/release of the **LIGHT** button- Both lights shall turn ON.
2. Second press/release of the **LIGHT** button- Both lights shall turn OFF.
3. Third press/release of the **LIGHT** button – Downlight turns ON only.
4. Fourth press/release of the **LIGHT** button – Downlight turns OFF.
5. Fifth press/release of the **LIGHT** button – Uplights turns ON only.
6. Sixth press/release of the **LIGHT** button - Uplights turns OFF only.

To vary the light brightness at each touch level:

**Make sure where you are in the sequence to the right.**

### To dim both lights at the same time:

1. Make sure you have the uplight on.
2. Turn the light off, then press and hold the **LIGHT** button. After one second, both lights will come on at their lowest setting and gradually become brighter or dimmest level if you continue holding the **LIGHT** button.
3. Release the **LIGHT** button when the desired brightness is reached.



### LIGHT CONTROL

**ON - OFF:**  
A momentary press of the **LIGHT** button

**CHANGE BRIGHTNESS:**  
**PRESS AND HOLD LIGHT BUTTON LONGER THAN ONE SECOND**

**To dim just the up light:**

1. Make sure you have just the downlight on.
2. Turn the light off, then press and hold the **LIGHT** button. After one second, the up light will come on at their lowest setting and gradually become brighter or dimmest level if you continue holding the **LIGHT** button.
3. Release the **LIGHT** button when the desired brightness is reached.

**To dim just the down light:**

1. Make sure you have both lights on.
2. Turn the light off, then press and hold the **LIGHT** button. After one second, down light will come on at their lowest setting and gradually become brighter or dimmest level if you continue holding the **LIGHT** button.
3. Release the **LIGHT** button when the desired brightness is reached.

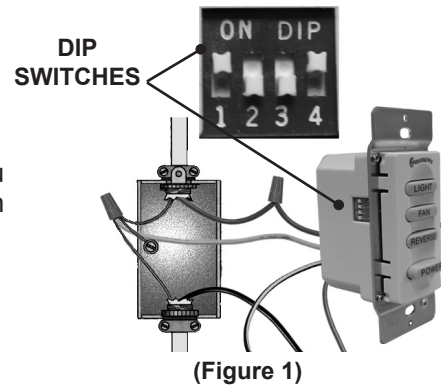
**NOTE: Light Operation** - the light varies from “bright” to “dim” over approximately 8 seconds. This sequence will reverse the light when it reaches the brightest or dimmest level if you continue to hold the LIGHT button. Release the button when the desired level is reached.

CHANGING FREQUENCY SETTING

**NOTE: All fans leave the factory set to “1111”**

You will only have to change the dip switch settings in the remote if you are using more than one fan in the same area and want to control them separately.

**NOTE: DO NOT** set dip switch setting in the remote to ‘0000’, this may cause frequency interference from other Casablanca Products.



Step 1. Turn power OFF at the circuit breaker or fuse box and at the toggle switch, for the fan you want to change.

Step 2. Remove the screws and switch plate from the existing switch box.

Step 3. Remove the screws holding the switch in the switch box.

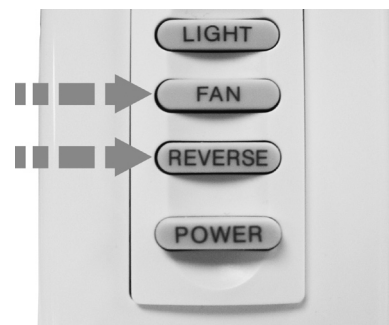
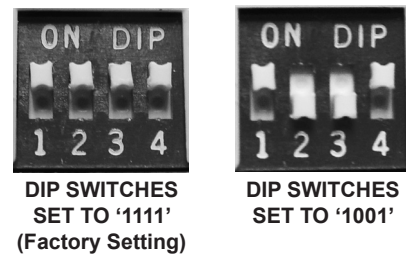
Step 4. Pull the existing W-84 switch from the switch box to expose the dip switches located on the side of the control as shown in Figure #1.

Step 5. Change the dip switch settings, assuring that they are different from the previously installed Intel-Touch<sup>®</sup> 3 fan.

Step 6. Mount the W-84 Wall Control unit back into the wall electrical box.

Step 7. At the circuit breaker or fuse box and at the toggle switch, turn the power off for the fan whose frequency you are changing.

Step 8. Within 20 seconds of restoring power to the ceiling fan and the W-84 Wall Control press and hold both the “FAN” and “REVERSE” buttons as shown in Figure #2. For 3 seconds, you will hear one tone from the Piezo Buzzer indicating the command has been accepted.





# Intel • Touch® 3

## AUTOMATIC DEMONSTRATION PROGRAM

Programmed into every Intel-Touch® Series fan is an Automatic Demonstration Program. It can be used to fully demonstrate and test the operation of the fan.

### To enter the demonstration program:

1. Turn **POWER** off for at least 5 seconds. This will clear the fan memory ready for programming.
2. Turn **POWER** on.
3. Immediately operate the buttons in the following sequence:



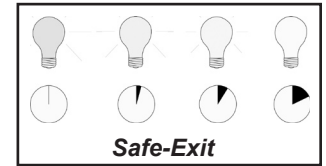
A multi-tone signal will verify the start of the test program which proceeds as follows:

- Lights slowly increase to full intensity.
- Fan accelerates to speed three with audio tones.
- Light dims to half intensity.
- Fan accelerates to full speed with audio tones.
- Fan reverses at full speed with audio tones.
- Fan operates at full speed.
- Fan turns off with audio tones (blades coast for a short time).
- Lights turn off.

The complete cycle lasts slightly over one minute. It will continue to repeat until the **POWER** is turned off for more than five seconds, cancelling the program.

## OPERATION SAFE-EXIT® AND LIGHT-MINDER® PROGRAM

**NOTE:** Both Light-Minder and Safe-Exit programs will always run at the same time.



The **Safe-Exit Program** gives you about thirty seconds of light when you turn the lights off, enabling you to exit your home before the lights go out. To enter the Safe-Exit Program:

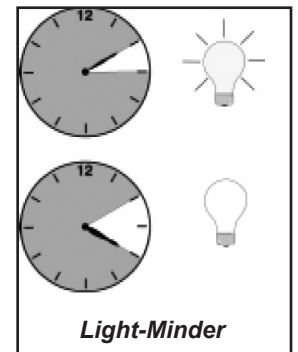
- 1) To operate the lights for Safe-Exit Program – Press the **POWER** button off for at least five seconds.
- 2) Turn the Power on. Immediately press the buttons in the following sequence: **FAN** + **FAN** + **LIGHT** + **LIGHT**. The **LIGHT** Button should be immediately press after an audio tone is heard from the fan controller. The lights shall blink to indicate this command has been accepted. The lights shall stay on for 30 seconds and then begin to dim. After thirty seconds have elapsed, the lights shall be completely off.
- 3) To cancel the Safe-Exit Program, press the **POWER** button off for five seconds.

**NOTE:** If the lights are left on in the room, the lights will automatically turn OFF after 2 hours. ( this is Light-Minder)

The **Light-Minder Program** automatically turns OFF the fan mounted lights after two hours.

### To enter the Light-Minder Program:

- 1) To operate the lights for Light Minder Program – Press the **POWER** button off for at least 5 seconds.
- 2) Turn the **POWER** on. Immediately press the buttons in the following sequence: **FAN** + **FAN** + **LIGHT** + **LIGHT**. A series of tones will be heard through the piezo-buzzer indicating the command has been accepted. Once the lights turn on, they will automatically turn off after 2 hours.
- 3) Light operation still remains normal, if you leave the room and turn OFF the lights will blink to indicate this Safe-Exit command has been accepted. The lights will stay on for 30 seconds and then begin to dim. After thirty seconds have elapsed, the lights will turn completely off.
- 4) To cancel the Light-Minder and Safe-Exit Programs, press the **POWER** button.





## OPERATION HOME-SAFE® PROGRAM

The **Home-Safe Program** makes an unoccupied home appear occupied by turning the lights on and off at random times.

To enter the Home-Safe Program:

- 1) To operate the lights and fan for Home Safe Program – Press the **POWER** Button off for a least 5 seconds.
- 2) Turn the **POWER** on. Immediately press the buttons in the following sequence: **LIGHT** + **LIGHT** + **LIGHT** + **FAN** . A series of tones will be heard through the piezo-buzzer and flashing lights indicating the command has been accepted will follow. This program overrides all manual control of lights and fan. Once the lights turn on, they will automatically turn off after 2 hours.
- 3) The lights will automatically cycled on and off in a controlled sequence as follows: ON 1 hour, OFF ½ hour, ON 2 hours, OFF 1 hour, ON ½ hour then OFF 2 hours. This seven hour pattern will repeat continuously so that a different pattern of lighting is seen each day of the week.
- 4) To cancel the Home-Safe Program, press the **POWER** Button OFF for five seconds.



## OPERATION FAN-MINDER™ PROGRAM

The **Fan-Minder** feature will add to your comfort when used in the bedroom. The program reduces the speed of the fan each two-hour interval to compensate for cooling night air.

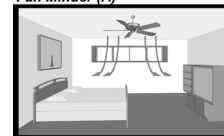
To enter the Fan-Minder Program:

1. Turn the **POWER** OFF for at least 5 seconds.
2. Turn the **POWER** ON.
3. Immediately operate the buttons in the following sequence:

**LIGHT** + **LIGHT** + **FAN** + **FAN**

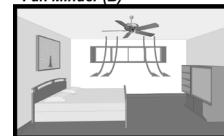
4. The fan will respond with three descending tones. A timer is now initiated and the fan will reduce one speed for each two-hour interval. The fan will not, however, descend below the first or the lowest speed.
5. You may increase the fan speed by pressing and holding the **FAN** button until the desired speed is reached, then release it. The fan will again reduce one speed for each 2 hour interval.
5. To cancel the Fan-Minder Program, turn the **POWER** OFF for three seconds.

Fan Minder (A)



STRONG AIRFLOW

Fan Minder (B)



GENTLE AIRFLOW



### WALL CONTROL AND HARDWARE (not to scale)



W-84  
Wall Control



Switch Mounting  
Screws (2)



Switch Bezels  
(1) White  
(1) Almond



White Wall  
Plate(1)



Almond Wall  
Plate(1)



Wall Plate Screws  
(2) White  
(2) Almond



(4) Wire Cap

### WARNING!

To avoid possible electrical shock, make certain that electricity is turned off at the circuit breaker or fuse box before attempting any installation or repair procedure

CAUTION! NOT turning the power OFF at the circuit breaker or fuse box may cause damage to the electronics within the wall control and/or the PC board on the fan.

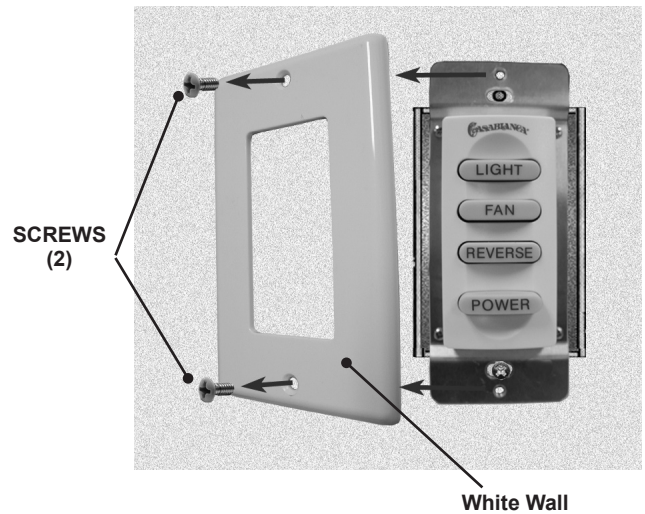


Figure #1

**W-84 Wall Control Bezel Replacement installation as follows - (In the Wall Replacement):**

**Step 1a.** Locate the two (2) screws holding the switch plate to the wall control and remove the cover plate as shown in Figure #1.

**Step 1a.** Locate the four (4) tabs holding the bezel to the front of the switch, then press in on each tab one at a time, removing the bezel as shown in Figure #2.

**Step 1b.** Locate the rubber key pad attached to the four (4) locating pins as shown in Figure #2 and remove rubber key pad from the WHITE bezel, also as shown in Figure #2.

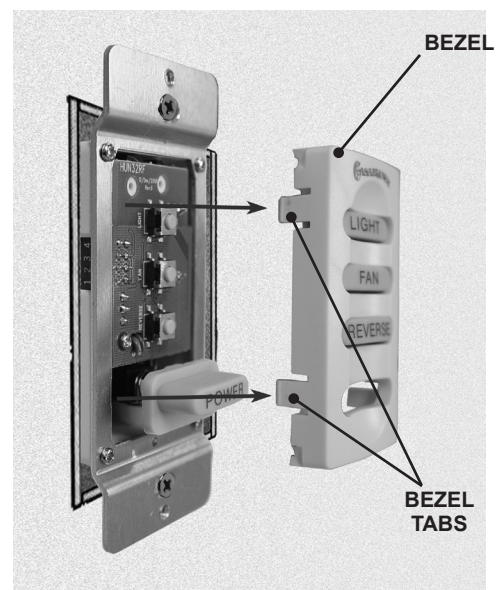
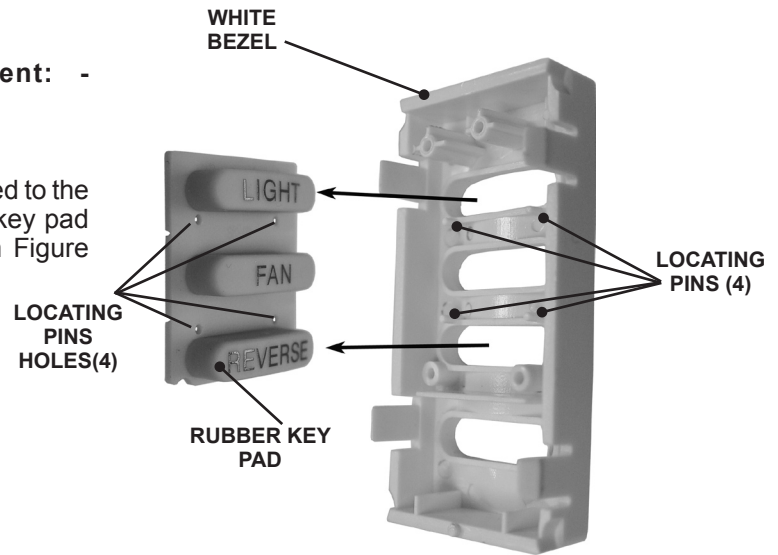


Figure #2



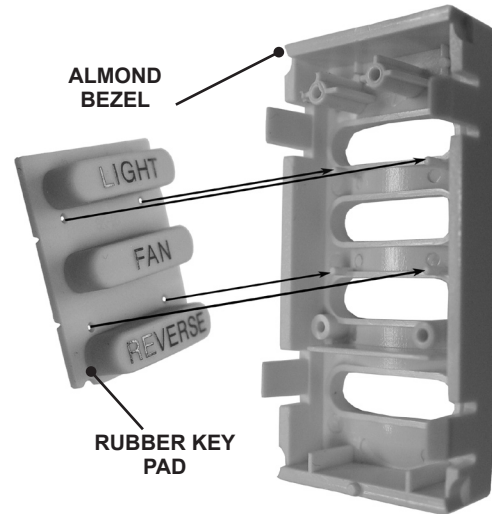
**W-84 Wall Control Bezel replacement: - CONTINUED**

**Step 1c.** Locate the rubber key pad attached to the four (4) locating pins and remove rubber key pad from the WHITE bezel, also as shown in Figure #3.



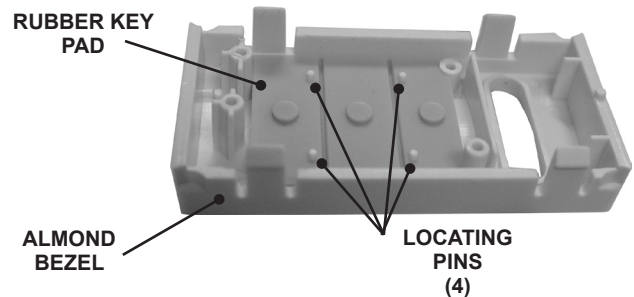
**Figure #3**

**Step 1d.** Reinstall the rubber key pad on to the four (4) locating pins located on the almond bezel as shown in Figure #4.



**Figure #4**

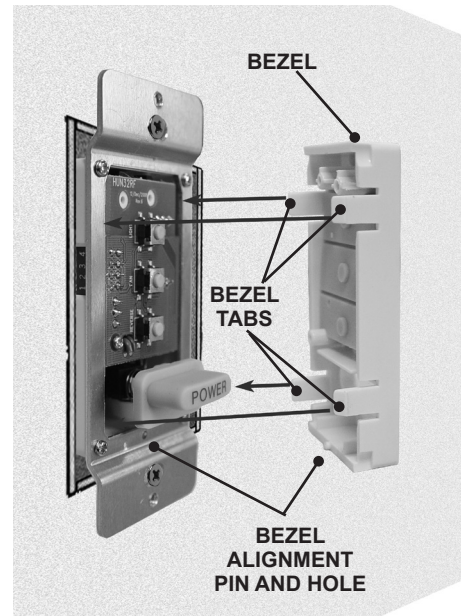
**Step 1e.** Before attaching the bezel back onto the front of the switch, make sure that the rubber key pad is attached to the locating pins on the bezel as shown in Figure #5.



**Figure #5**

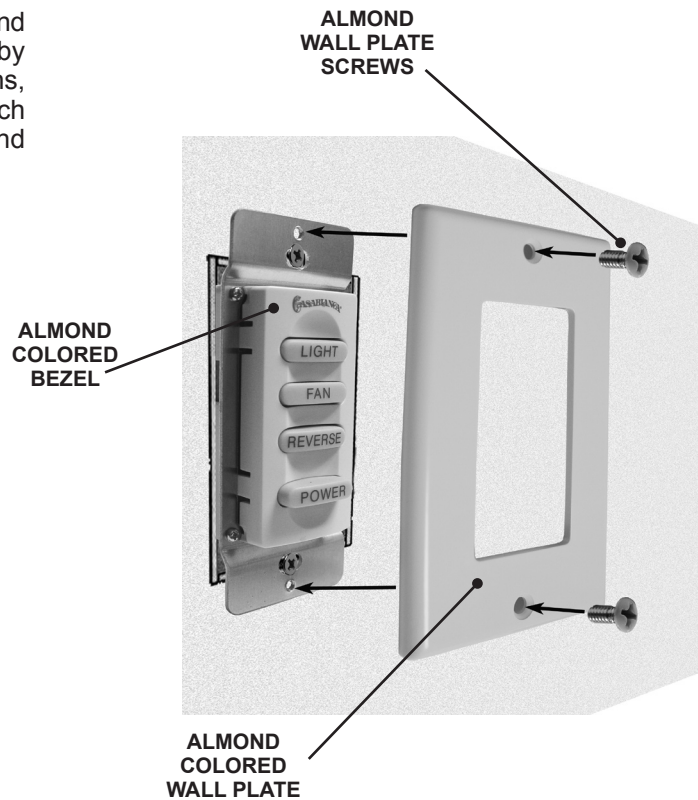
**W-84 Wall Control Bezel replacement: - CONTINUED**

**Step 1e.** To attach the bezel back on to the front of the switch you will need to align the four (4) tabs on the bezel with the front of the wall control and by gently pressing on both top and bottom of the bezel at the same time, snap the bezel back on to the front of the switch as shown in both figures #6.



**Figure #6**

**Step 1f.** Re-attach the wall plate using the two (2) almond screws as shown in Figure #7. Check your work by pressing on the light, fan, reverse and power buttons, making sure that the buttons do not stick and that each switch functions properly. Turn the power back ON and test the fan and lights.



**Figure #7**



**TROUBLESHOOTING TIPS**

Please refer to this troubleshooting guide before requesting service or contacting your dealer for assistance.

PROBLEM	POSSIBLE REMEDIES
Fan will not start	<ul style="list-style-type: none"> <li>• Check the main circuit fuses, circuit breakers, and wall switch position. Check all wire connections. Make sure the power is turned off during this inspection.</li> <li>• Pin connectors are not making good contact. Check all connections.</li> <li>• The fan receiver is defective. Replace the fan receiver.</li> <li>• Reset the frequency setting: Turn the power off at the circuit breaker for the fan that is not functioning only. Within 20 seconds from restoring power to the ceiling fan and the W-84 Wall Control press and hold both the “Fan” and “REVERSE” buttons as shown in Figure #2 for 3 seconds, you will hear one tone from the Piezo Buzzer indicating the command has been accepted. The Fan will come on at “low” speed in the reverse direction. into the slot on the ball.</li> <li>• Check that the blade holders have not been bent during installation and the blades are balanced.</li> <li>• The hanger bracket and/or the ceiling outlet are attached too loosely. Make sure the hanger bracket is attached tightly to the ceiling outlet box and the downrod assembly is secured firmly.</li> <li>• The downrod is attached to the downrod base too loosely. Make sure all the screws are securely tightened.</li> </ul>
Fan is noisy during operation	<ul style="list-style-type: none"> <li>• When changing fan speeds, you may hear several audible clicks. This is normal operation.</li> <li>• Check and tighten the light fixture retaining screws, glass shade screws, and/or lightbulb(s).</li> <li>• Tighten the canopy screws and mounting plate assembly. Make sure the wire nuts inside the canopy and switch housing are not touching the metal parts and that they have not fallen off the wire splices. Tighten as necessary.</li> <li>• Tighten the blade holders to the flywheel (or Direct Drive motor) and the blades to the bladeholder screws.</li> <li>• Make sure all the screws in the motor housing are snug but not overly tight.</li> </ul>
Fan does not run on low speed	<ul style="list-style-type: none"> <li>• If fan is new, it may need to be “broken in.” Run at high speed for several days.</li> </ul>

This device complies with RSS-210 of Industry Canada. Operation is subject to the following two conditions: (1) this device may not cause interference, and (2) this device must accept any interference, including interference that may cause undesired operation of the device.

1. This device complies with part 15 of the FCC Rules. Operation is subject to the following two conditions: (1) this device may not cause harmful interference, and (2) this device must accept any interference received, including interference that may cause undesired operation.

2. This equipment has been tested and found to comply with the limits for a Class B digital device, pursuant to Part 15 of the FCC Rules. These limits are designed to provide reasonable protection against harmful interference in a residential installation. This equipment generates, uses and can radiate radio frequency energy and, if not installed and used in accordance with the instructions, may cause harmful interference to radio communications. However there is no guarantee that interference will not occur in a particular installation. If this equipment does cause harmful interference to radio or television reception, which can be determined by turning the equipment off and on, the user is encouraged to try to correct the interference by one or more of the following measures: Reorient or relocate the receiving antenna, Increase the separation between the equipment and receiver; Connect the equipment into an outlet on a circuit different from that to which the receiver is connected. Consult the dealer or an experienced radio/TV technician for help. Note: Any changes or modifications to the transmitter or receiver not expressly approved by Casablanca Fan Company may void one’s authority to operate this remote control.

## CARE RECOMMENDATIONS

### Fan Finishes

- For cleaning, a soft brush or lint-free cloth should be used to prevent scratching the finish.
- A vacuum cleaner brush nozzle can remove heavier dust.
- Surface smudges or an accumulation of dirt and dust can be removed easily using a mild detergent and slightly dampened soft cloth. An antistatic agent may be used, but **never use abrasive cleaning agents** as these will damage the finish.

### Blades

- Wood-finish blades should be cleaned with a furniture polishing cloth. Occasionally, a light coat of furniture polish may be applied for added protection and beauty.
- For painted and high-gloss blades, surface smudges or an accumulation of dirt and dust can be removed easily using a mild detergent and slightly dampened soft cloth. An antistatic agent may be used, but **never use abrasive cleaning agents** as these will damage the finish.

### No Need for Lubrication

- **Never lubricate this fan!** The precision motor at the heart of your Casablanca fan features sealed bearings that are lubricated for life.
- Do not attempt to oil the motor.

### Changing Lightbulbs

- Be sure to turn the power to OFF at the wall switch or circuit breaker before changing lightbulbs.
- Replace bulbs with the same type as you removed from the light fixture.

For questions or to locate the nearest Casablanca Authorized Service Center

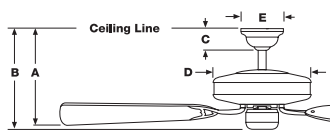
call toll free: 1-888-227-2178

or visit us on the web at: [www.casablancafanco.com](http://www.casablancafanco.com)

## PRODUCT SPECIFICATIONS

**Model Name:** Holliston  
**Model Number:** C31UxxZ

**Dimensions:**  
 A = 12"  
 B = 13.5"  
 C = 3"  
 D = 13.9"  
 E = 7"



**Weight:** 26 lbs.

**Motor:** XLP Plus™  
**Blade Span:** 60"  
**Blade Iron Pitch:** 15°  
**No. of Blades:** 5  
**Technology:** Intelli-Touch®<sup>3</sup> W-84  
**Lightbulbs:** (6) 7-Watt C7  
**Airflow:** 6495 cfm  
**Electricity Use:** 115 watts  
**Airflow Efficiency:** 56.5 cfm/watt

